

Minuteman[®]

PowerBoss[®]

OWNER'S MANUAL PARTS MANUAL 4000 Sweeper Scrubber[™]



Minuteman PowerBoss, Inc.
175 Anderson Street
Aberdeen, North Carolina USA 28315
(910) 944-2105 / FAX (910) 944-7409

Minuteman[®]

PowerBoss[®]

PARTS MANUAL

4000 Sweeper Scrubber[™]



Minuteman PowerBoss, Inc.

175 Anderson Street

Aberdeen, North Carolina USA 28315

(910) 944-2105 / FAX (910) 944-7409

Minuteman® **PowerBoss**®

PARTS SECTION

4000 Sweeper Scrubber™

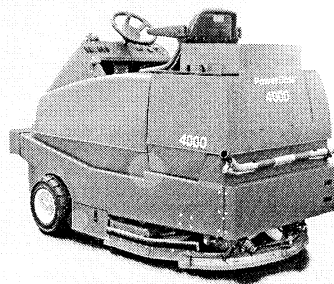
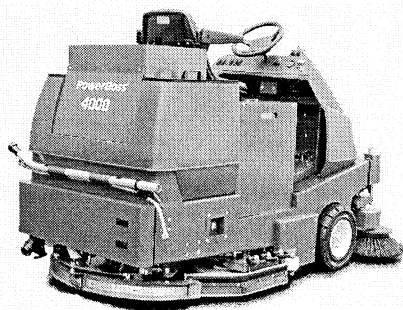


TABLE OF CONTENTS

Brake, Axle & Wheel Section.....	4
Broom Section	
Main Broom.....	8
Main Broom Doors	10
Side Broom	12
Electrical Section	
Part I	14
Part II	16
Floor Pan Section	18
Forward / Reverse Pedal Section	20
Frame Section	
Frame.....	22
Hopper Section.....	24
Lift Arm Section	28
Off Aisle Wand.....	30
Scrubdeck Section	
Scrubdeck - Type 1	34
Scrubdeck - Type 2	36

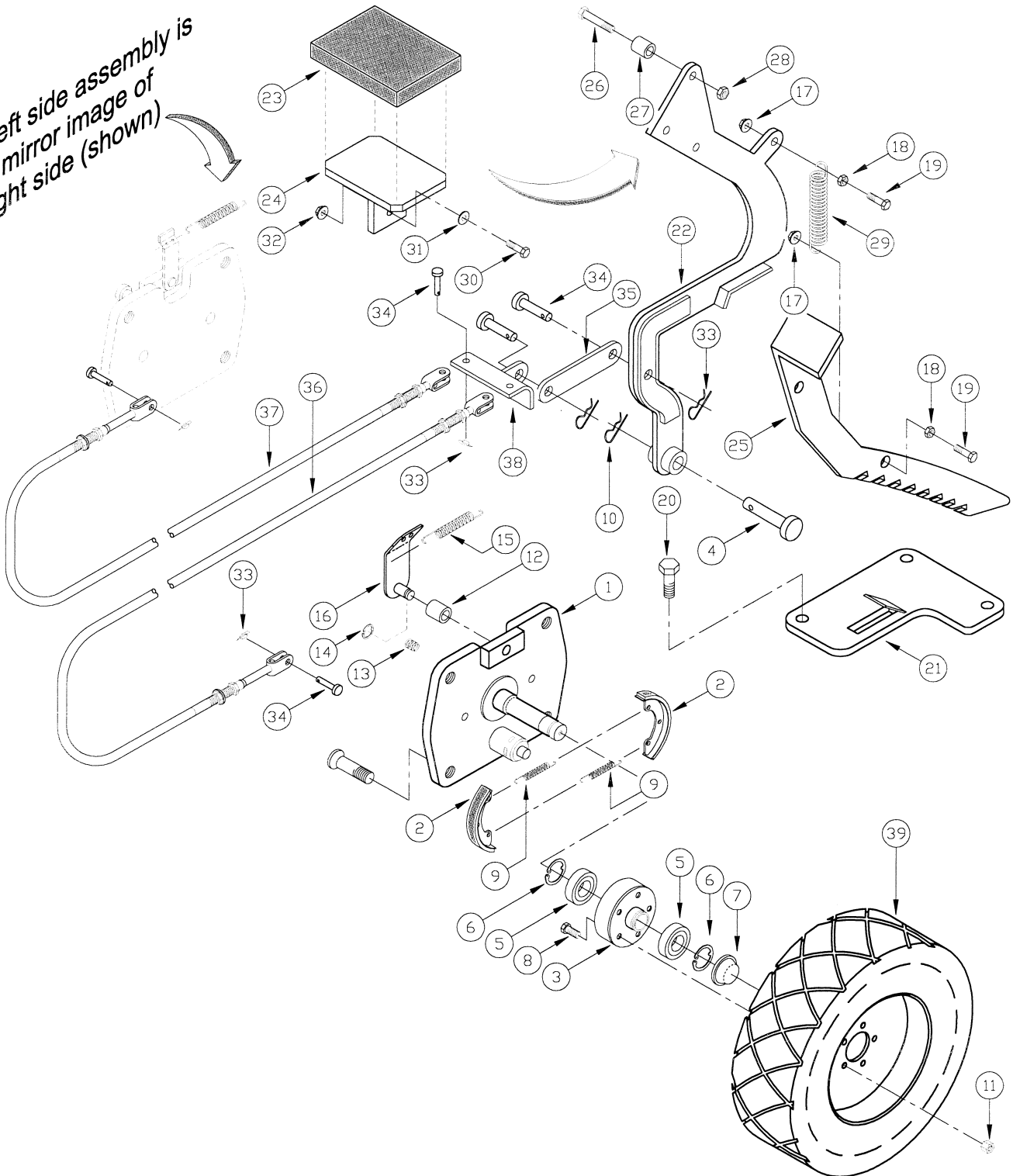
TABLE OF CONTENTS (Continued)

Seat / Plastic Body Section	40
Solution / Recovery Tanks Section	42
Solution Plumbing Section	
Part I	44
Part II	46
Squeegee Section	
Vacuum Tanks	48
Rear Squeegee	50
Left Side Squeegee	54
Right Side Squeegee	56
Steering & Rear Drive Wheel Section	58
Vacuum Box Section	62
Wiring Section	
Legend	64
Key Plan	65
Wiring Diagram	
Section 1	66
Section 2	67
Section 3	68
Section 4	69
Section 5	70
Section 6	71
Section 7	72
Section 8	73
Section 9	74
Section 10	75
Section 11	76
Section 12	77



NOTES:

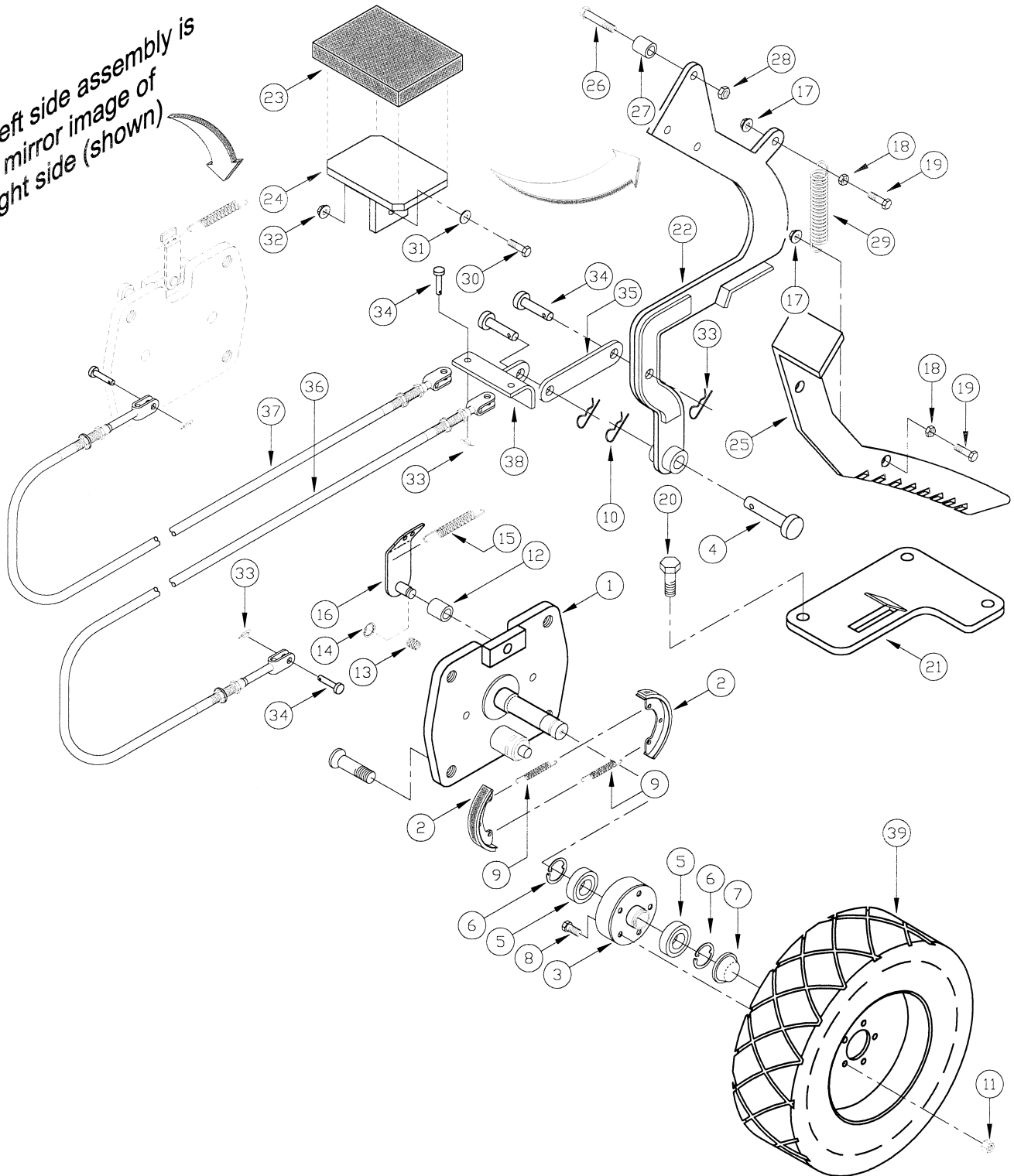
*Left side assembly is
a mirror image of
right side (shown)*



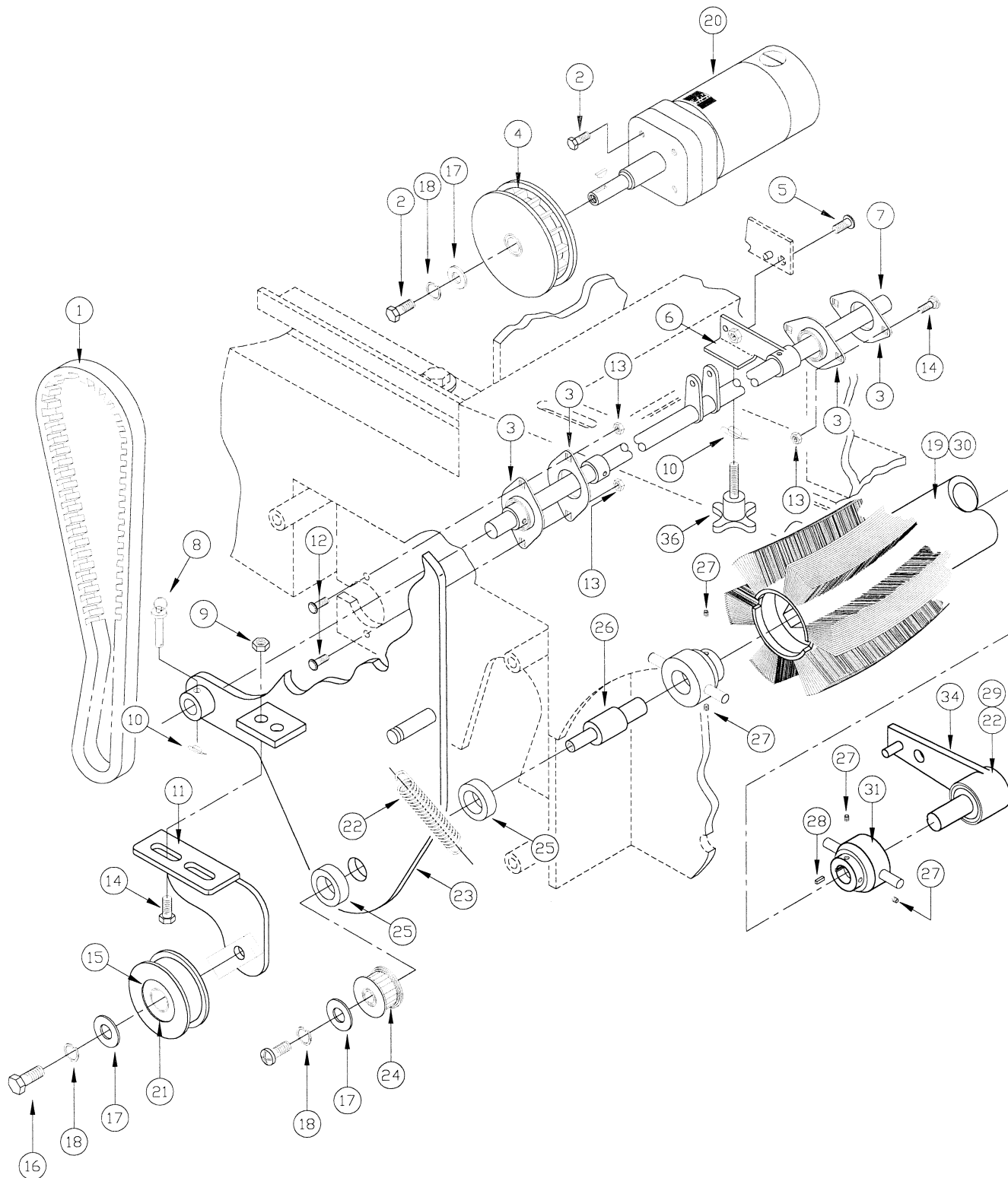
030PY001

REF #	PART #	DESCRIPTION	REMARKS	QTY.
1	3300852	WELD-FRONT AXLE PNTD		-
2	3300523	SHOE-BRAKE W/LINING		-
3	3300787	HUB-FRONT WHEEL PNTD		-
4	711672	CLEVIS PIN 1/2" X 2.00LG		-
5	3300467	BEARING-BALL 2.44 X 1.18 ID		-
6	3300473	RING-RET INT 2.44		-
7	3300369	CAP-HUB		-
8	3400938	STUD-FRONT WHEEL 62/72		-
9	3301519	SPRING-EXT BRAKE SHOE		-
10	711808	COTTER PIN-HAIR #13		-
11	3300411	NUT-WHEEL LUG		-
12	3300410	BUSHING-1.00 OD X .87 ID		-
13	3301518	SPRING-COMP BRAKE SHOE		-
14	3300484	RING-RET EXT .87		-
15	3301517	SPRING-EXT BRAKE LEVER		-
16	3347109	WELD-BRAKE LEVER		-
17	3400063	NUT-FLANGE LOCK 1/4-20 ZP		-
18	3400071	NUT-HEX 1/4-20 ZP		-
19	3400040	SCR-HEX, 1/4-20X1.00 ZP		-
20	712565	SCR-MC 1/4-20X.62 SS		-
21	3347167	WELD-PRK BRK LATCH		-
22	3347105	WELD-BRAKE PEDAL ARM		-
23	3300413	PAD-BRAKE PEDAL		-
24	3323374	WELD-BRAKE PEDAL TC/1		-
25	3347162	LEVER-PARKING BRAKE (4000)		-
26	3400031	SCR-HEX, 3/8-16X2.00 ZP		-
27	3347301	SPACER-UHMW PRK BRAKE (4000)		-
28	3400079	NUT-HEX 3/8-16 ES ZP		-
29	3304164	SPRING-EXT 1.75 LG		-
30	3400034	SCR-HEX, 5/16-18X1.25 ZP		-
31	3400384	WASHER-CONICAL SPRING 5/16		-
32	3400390	NUT-FLANGE LOCK 5/16-18		-
33	3400125	PIN-COTTER 3/8 RUE-RING		-
34	3400118	PIN-CLEVIS 5/16 X 7/8 ZP		-
35	3347106	BAR-BRAKE PULL ARM		-

Left side assembly is
a mirror image of
right side (shown)

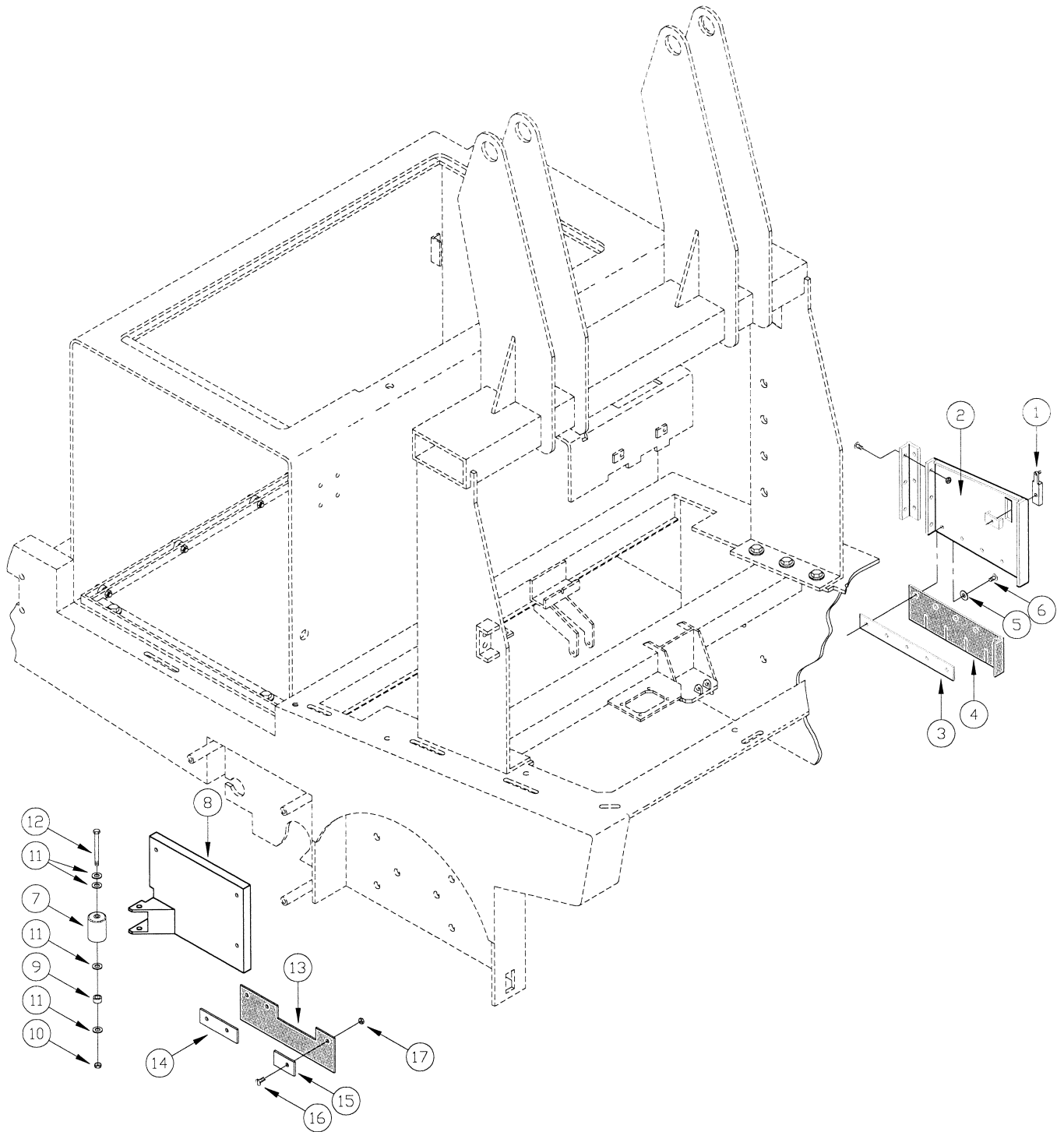


030PY001

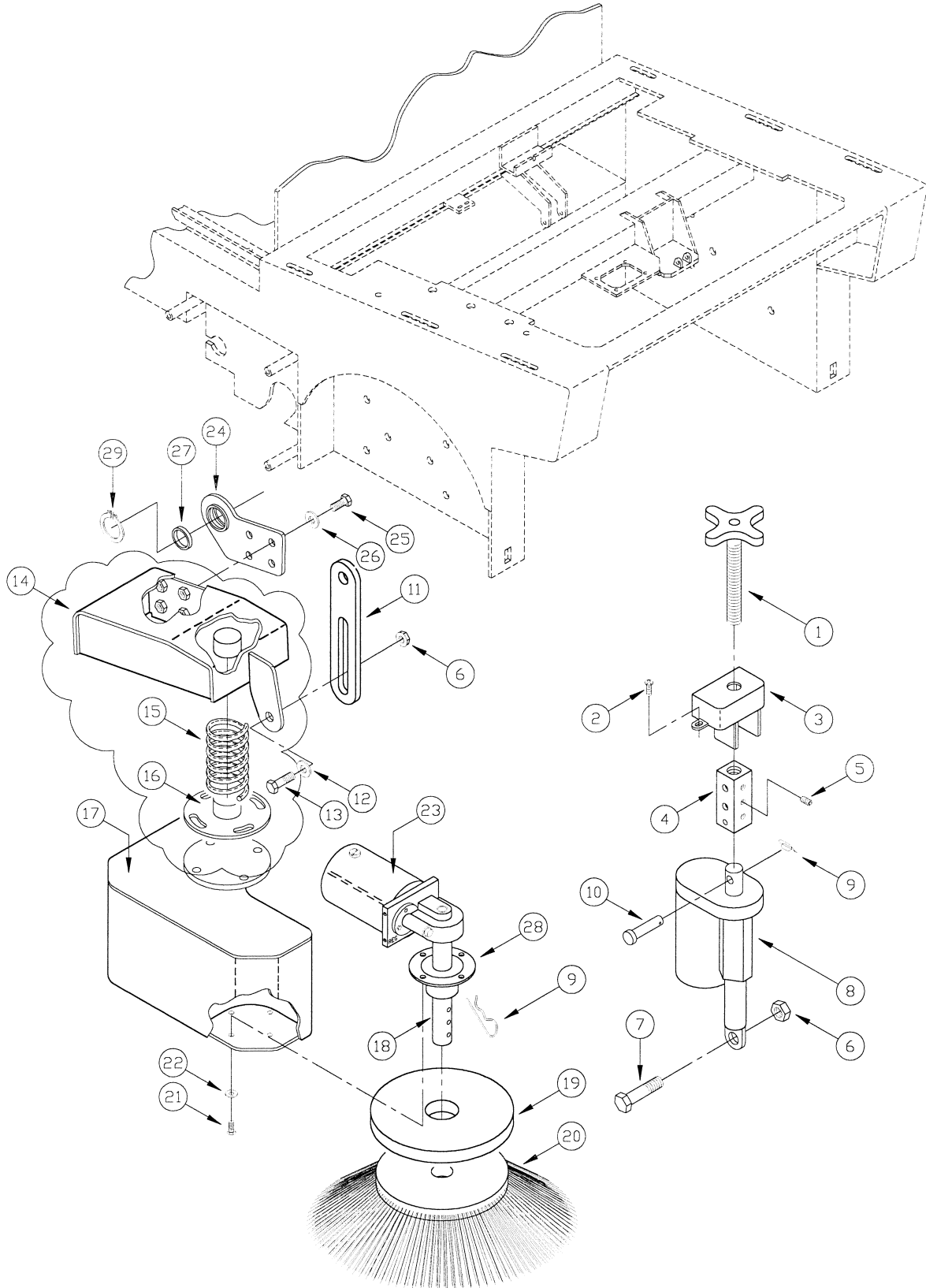


090PY001

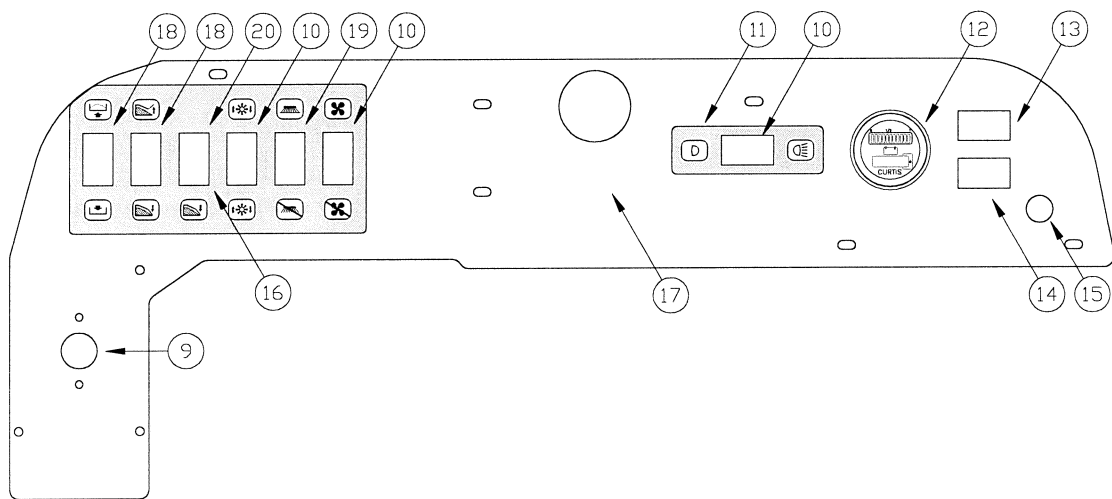
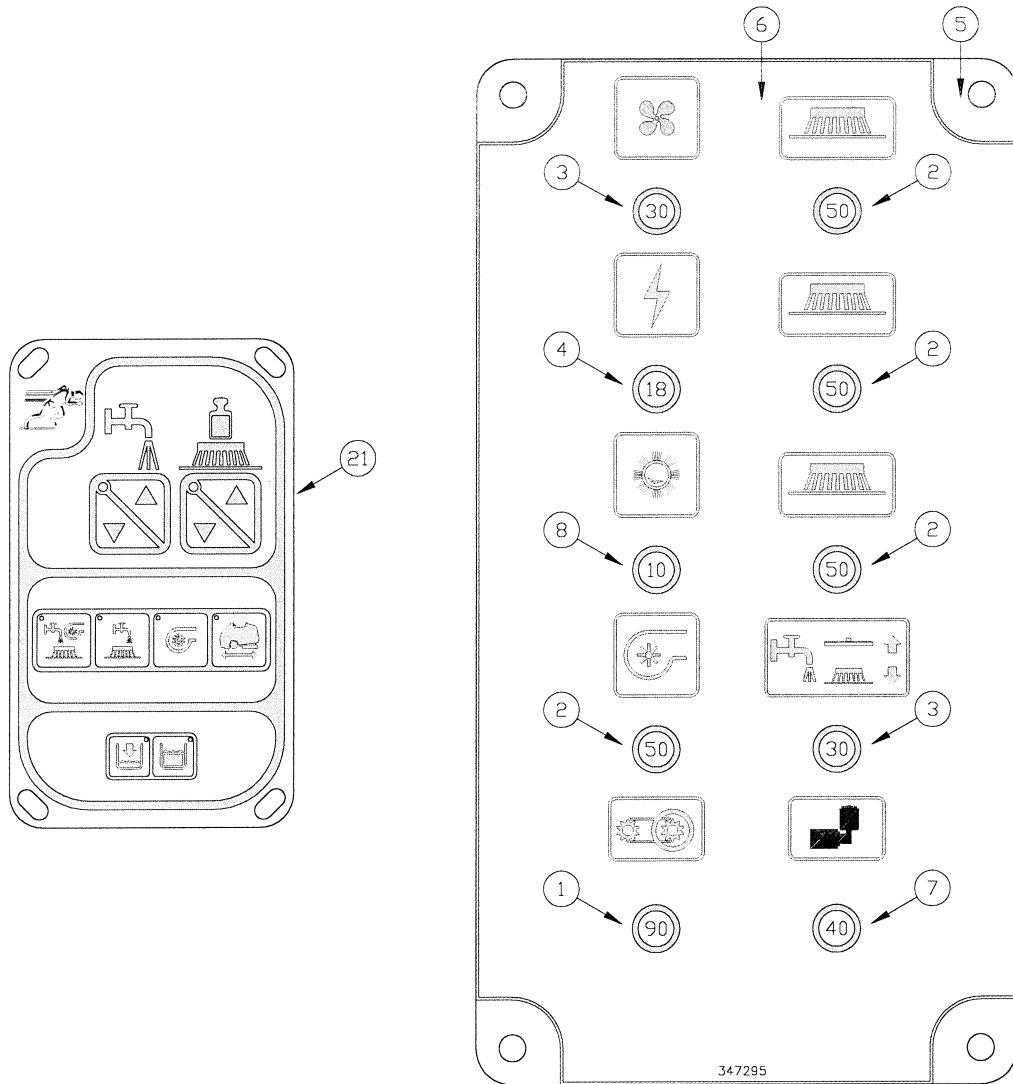
REF #	PART #	DESCRIPTION	REMARKS	QTY.
1	3347661	BELT-POLY CHAIN GT2 4000		-
2	3400988	SCR-1/4-28 X 3/4 HHCS		-
3	3308509	BEARING-STEERING SHAFT DODGE		-
4	3347663	PULLEY-MB DRIVE 4000		-
5	3400790	SCREW-BHSCS .375-16 X 1		-
6	3347039	WELD-ARM MB IDLER 4000		-
7	3347659	WELD-MB LIFT ROD 4000		-
8	3400785	PIN-CLEVIS 1/4 X 1-1/2		-
9	3400390	NUT-FLANGE LOCK 5/16-18		-
10	3400742	RUE RING-1/4 HEAVY ZP		-
11	3347654	WELD-MB IDLER/TENSIONER		-
12	3400390	NUT-FLANGE LOCK 5/16-18		-
13	3400739	BOLT-CARRIAGE 5/16-18 X 3/4 ZP		-
14	3400035	SCR-HEX,5/16-18X1.00 ZP		-
15	3347660	PULLEY-IDLER BELT TENSION		-
16	3400042	SCR-HEX,1/4-20X0.75 ZP		-
17	3400090	WASHER-FENDER 1/4 ZP		-
18	3400103	WASHER-LOCK 1/4 SPLIT ZP		-
19	3347325	BROOM-34" MAIN SPIRAL NYLON		-
20	3347265	MOTOR-36V MAIN BROOM (4000)		-
21	383582	BEARING-BALL RADIAL 5/8		-
22	3347664	SPRING-EXT 2.50 X .50		-
23	3347651	WELD-MB DRIVE PLATE 4000		-
24	3347662	PULLEY-MB DRIVEN 4000		-
25	383582	BEARING-BALL RADIAL 5/8		-
26	3347657	SHAFT-MB DRIVEN 4000		-
27	3400054	SCR-SET,1/4-20X0.25 ZP		-
28	760043	KEY .187 SQ X .675 L		-
29	3347271	SHAFT-MAIN BROOM (4000)		-
30	3347622	BROOM-MAIN PROEX WIRE		-
31	3347578	WELD-MAIN BROOM DRIVER		-
32	3347038	WELD-ARM MB IDLER		-
33	3347320	KNOB - CLAMPING 1/2 - 13 X 3.0		-
-	-	<i>End Of This Section</i>	-	-

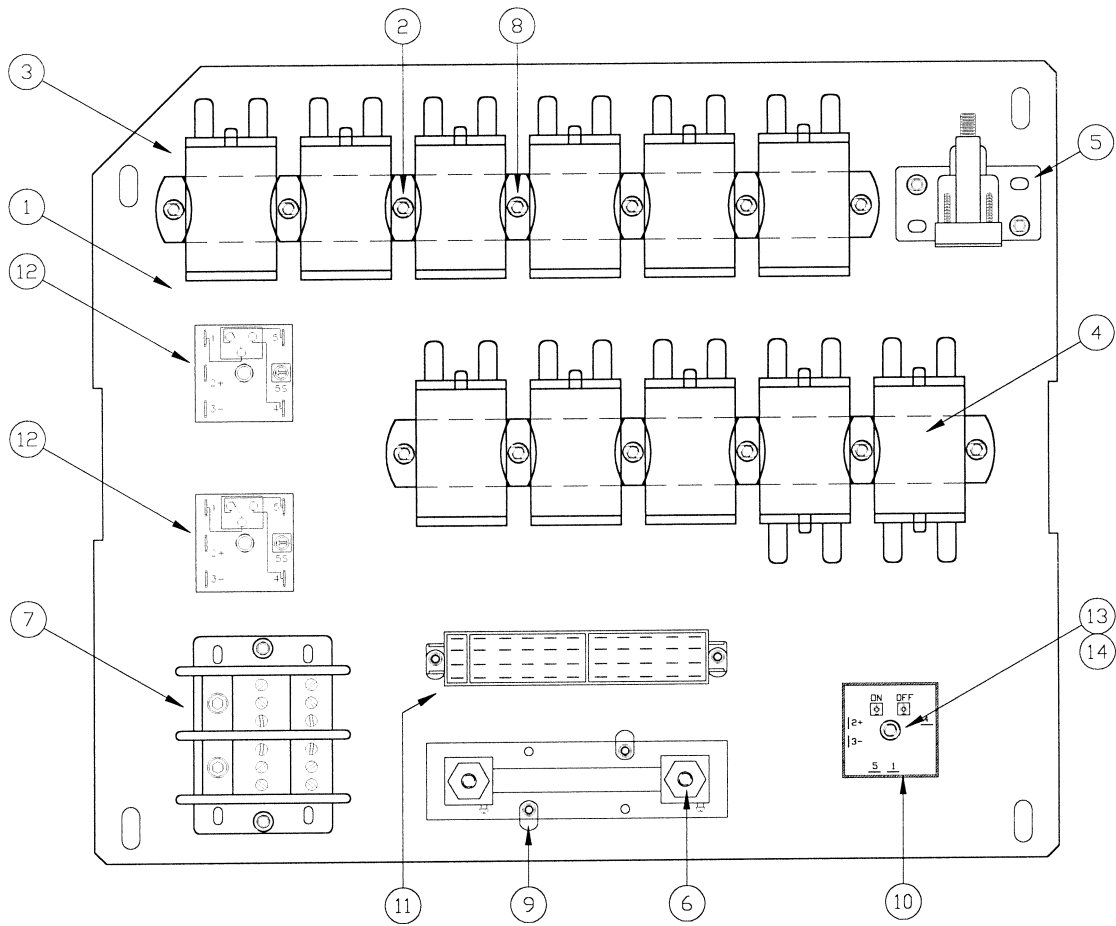


REF #	PART #	DESCRIPTION	REMARKS	QTY.
1	3300380	LATCH ASSY. #C2-10-301-50		1
2	3347130	WELD-MAIN BROOM DOOR (4000)		1
3	3347307	SEAL-MB DOOR BK STRIP (4000)		1
4	3347298	SEAL-MAIN BRM DOOR (4000)		1
5	3400090	WASHER-FENDER 1/4 ZP		4
6	3400059	SCR-THM 1/4-20 X .75 SS		4
7	3339509	ROLLER-3.0 DIA X 2.63 UH		1
8	3347535	WELD-COVER MD BRIVE 4000		1
9	3347538	SPACER-SQG GRD ROLLER		1
10	3400079	NUT-HEX 3/8-16 ES ZP		1
11	3400087	WASHER - FLAT 3/8 STANDARD		4
12	3400234	SCR-HEX,3/8-16X5.00 ZP		1
13	3347305	SEAL-MAIN BRM R.S. (4000)		1
14	3347174	BAR-MB SEAL RS 2-HOLE		1
15	3347175	BAR-MB SEAL RS 1-HOLE		1
16	3400059	SCR-THM 1/4-20 X .75 SS		3
17	3400063	NUT-FLANGE LOCK 1/4-20 ZP		3
-	3347122	WELD-OFF AISLE DOOR	Not Shown	1
-	715144	DECAL AUX PUMP (175)	Not Shown	1
-	740800CE	SWITCH DREEFS MOMENTARY	Not Shown	1
-	740811	SWITCH BOOT	Not Shown	1
-	383415	HOSE ASSY, OFF-AISLE	Not Shown	-
-	383410	WAND ASSY COMPLETE	Not Shown	-
-	833877	BRUSH SQUEEGE ASY NEW	Not Shown	-
-	3315233	RETAINER-BLOWER HOSE	Not Shown	-
-	3347208	WELD-FRAME HOSE STORAGE	Not Shown	-
-	3347543	PLATE-TANK COVER (4000)	Not Shown	-
-	3347491	ASSY OFF AISLE DOOR	Not Shown	-
-	3347416	OFF-AISLE WAND GROUP (4000)	Not Shown	-
-	-	End Of This Section	-	-

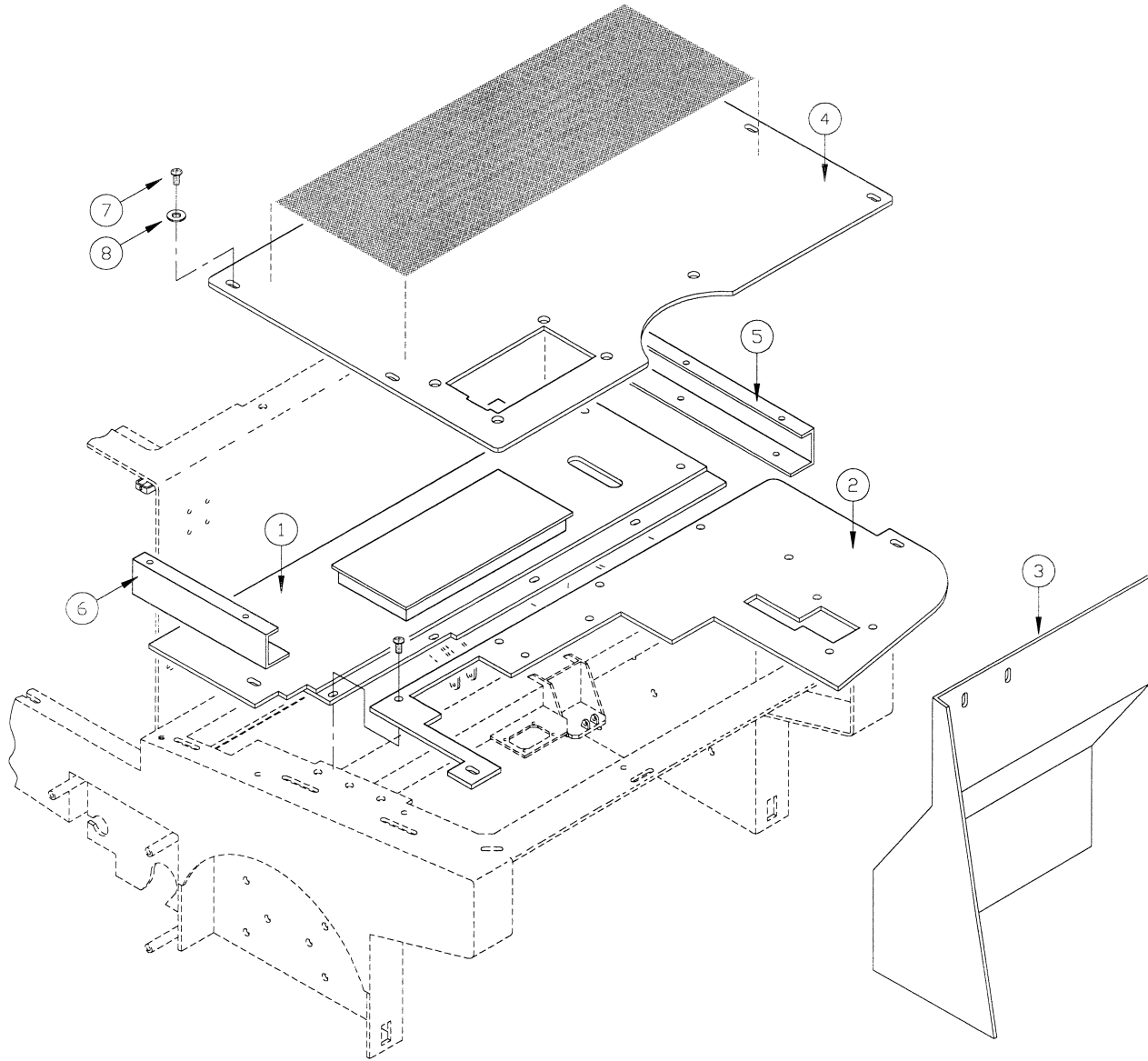


091PY001

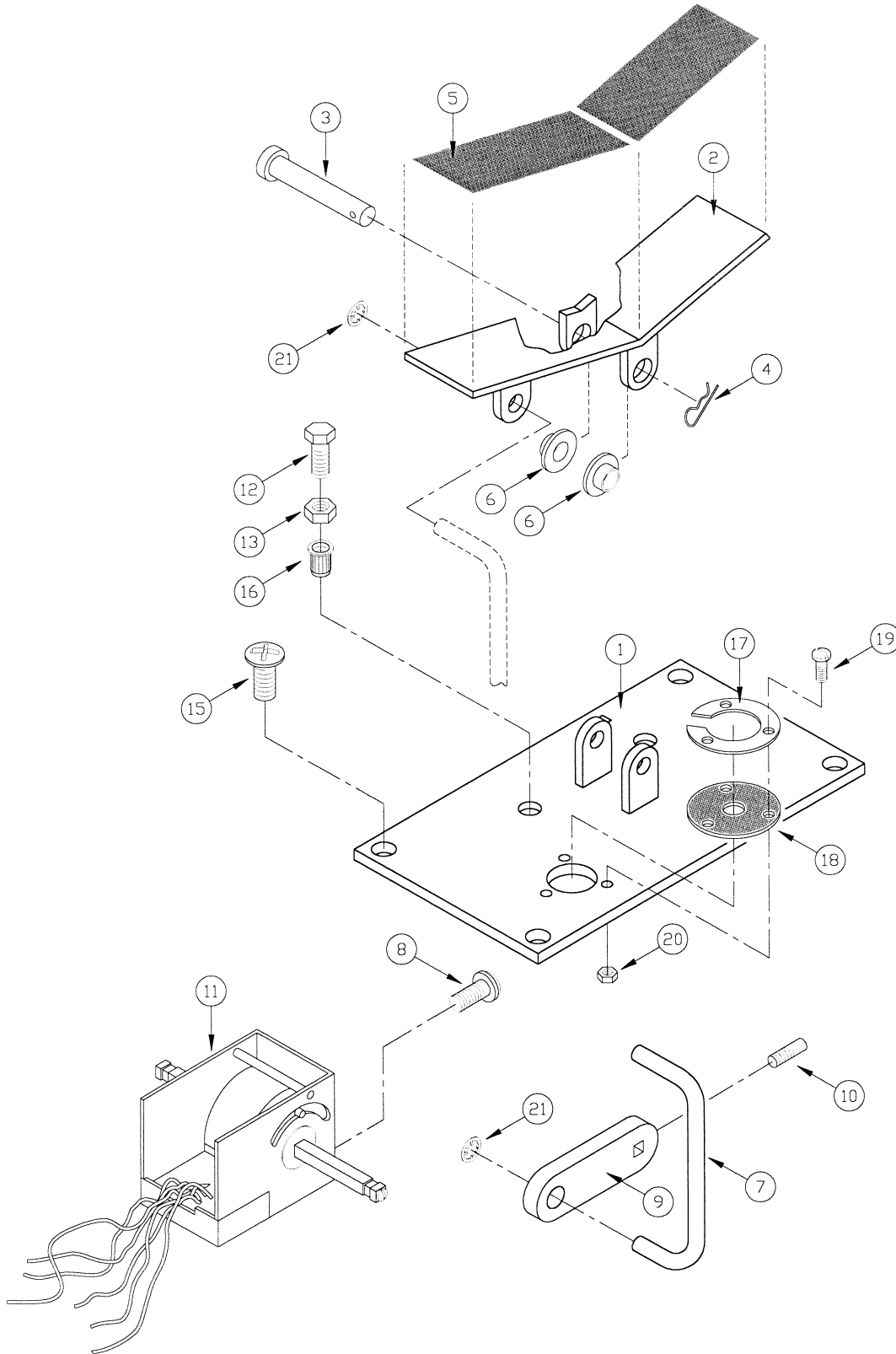


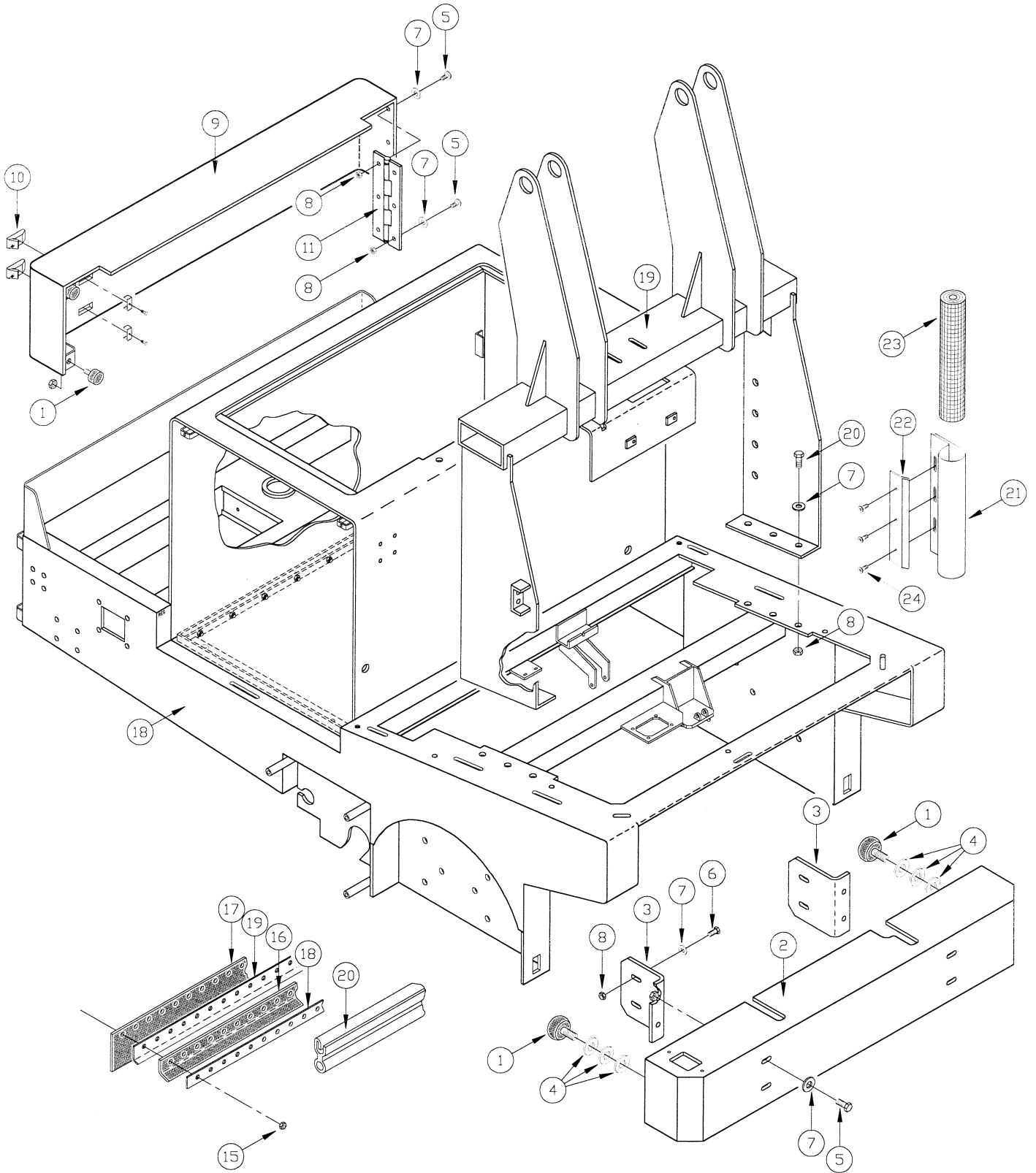


070PY003

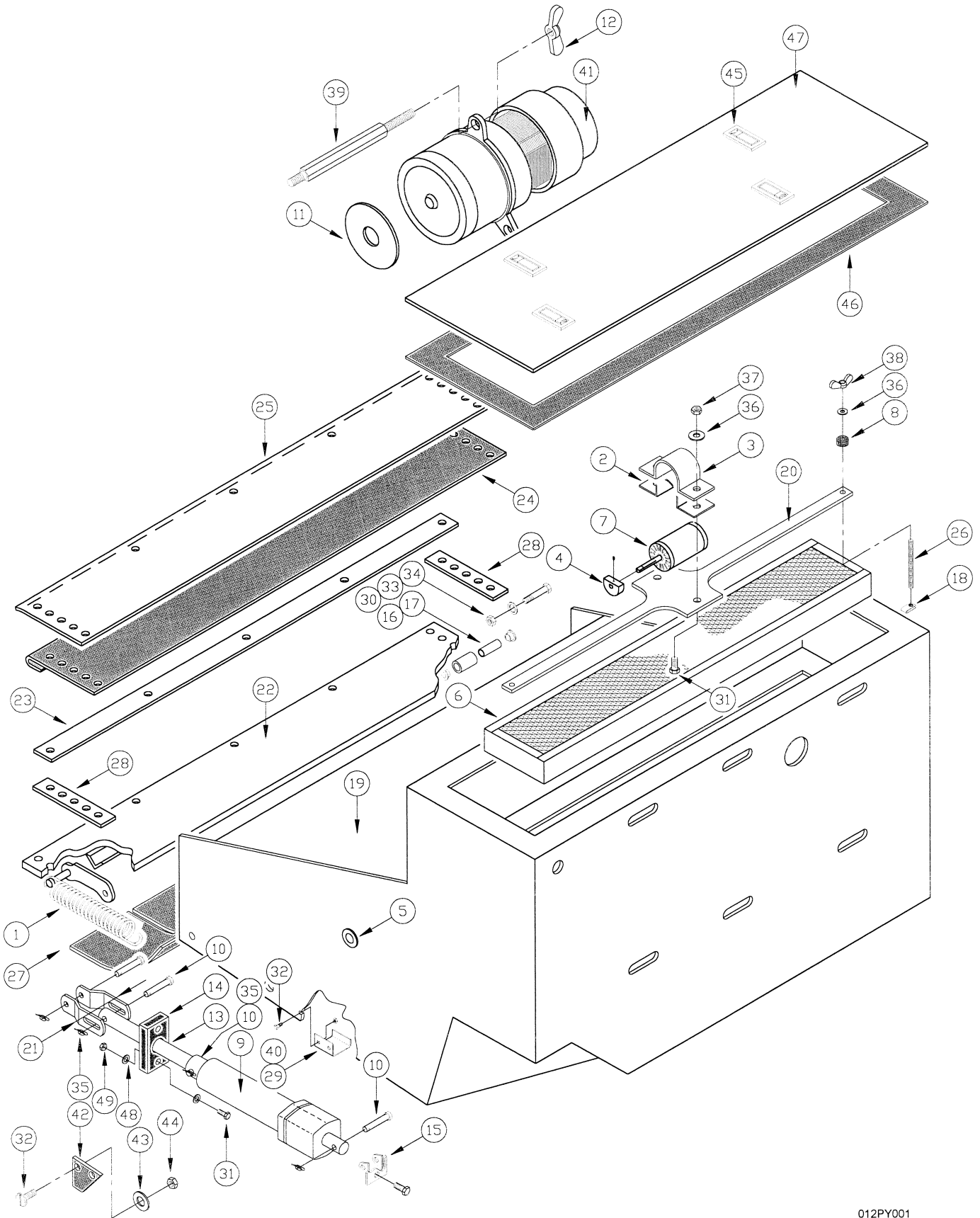


020PY002



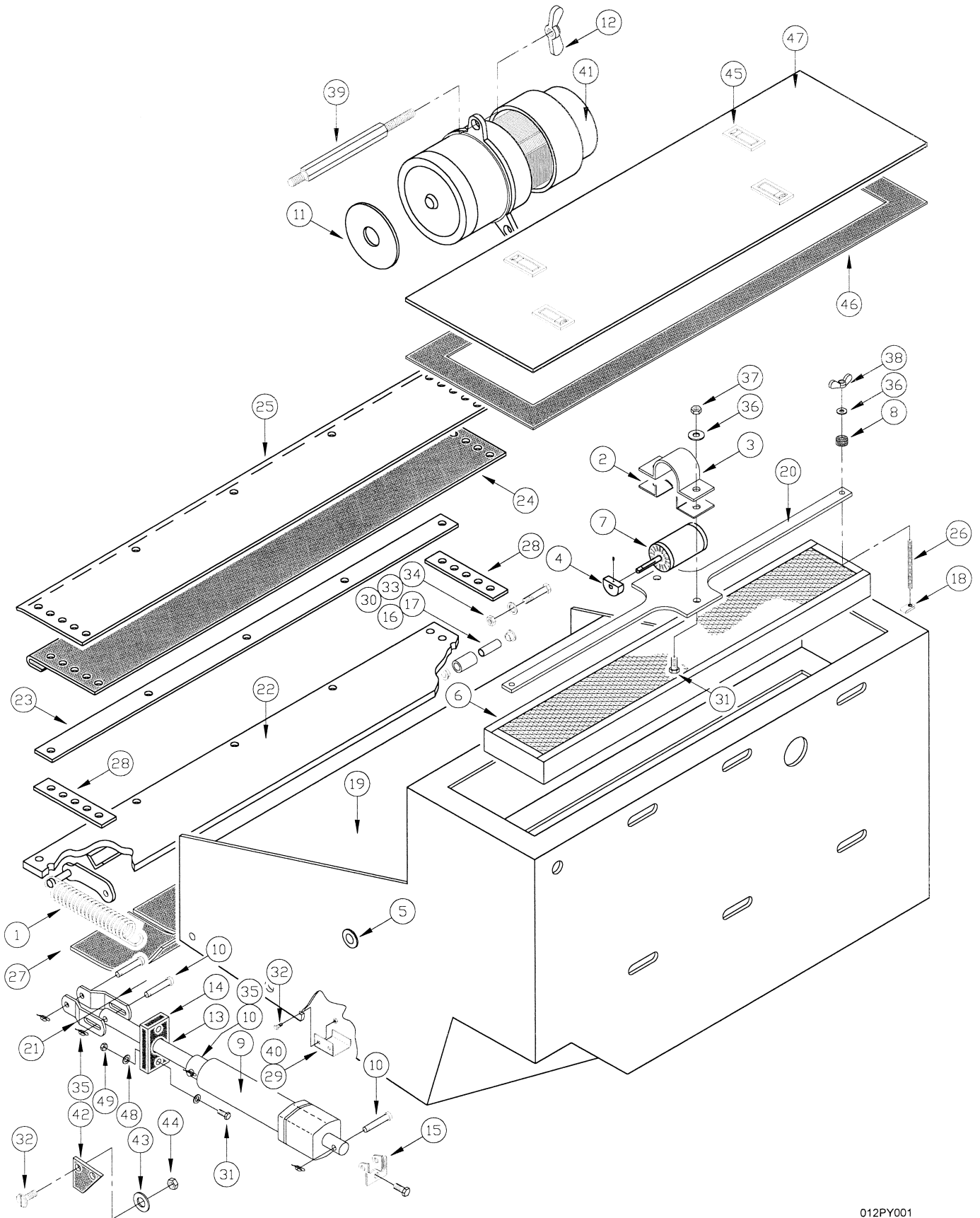


020PY001

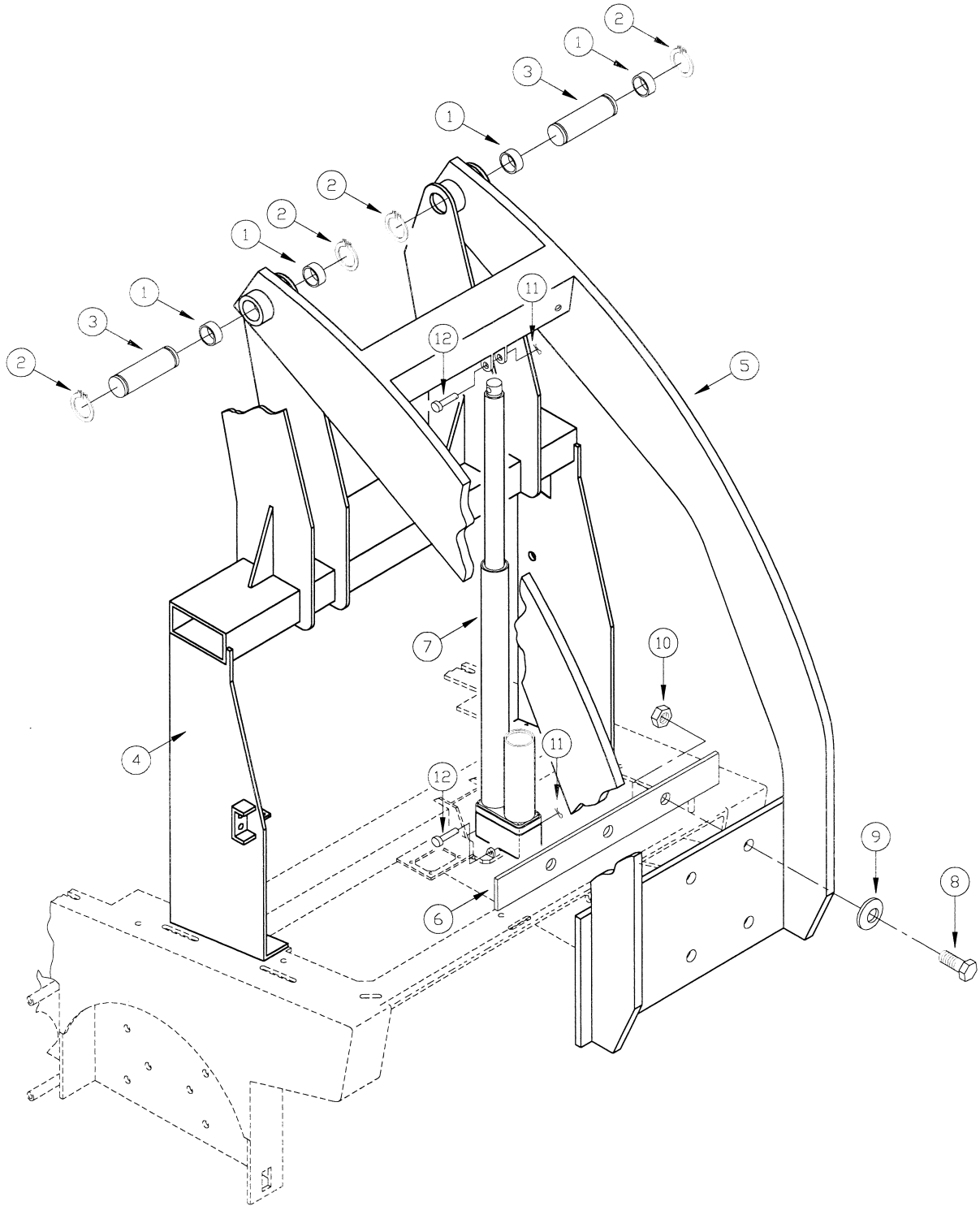


012PY001

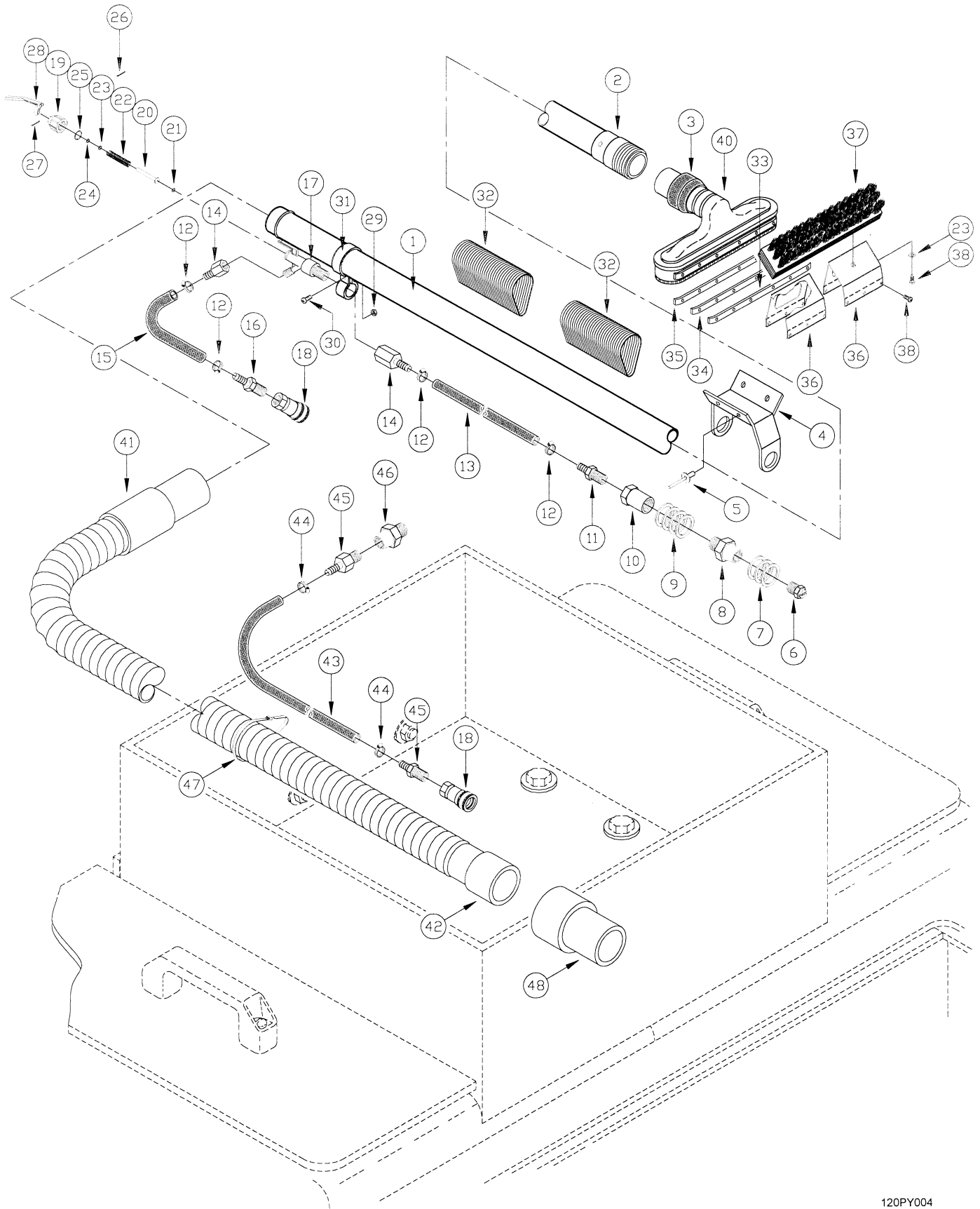
REF #	PART #	DESCRIPTION	REMARKS	QTY.
1	260211	SQUEEGEE SPRING		1
2	3300904	MOUNT-NEOPRENE SHAKER MT		1
3	3300915	RETAINER-SHAKER MOTOR PNTD		1
4	3301053	WEIGHT ECCENTRIC PNTD		1
5	3301665	GROMMET-Z-2056		3
6	3302936	FILTER-CAB PRESSURIZER		1
7	3305001	MOTOR-SHAKER 36 VOLTS		1
8	3307850	ISOLATOR-HOPPER FILTER SW/A		2
9	3308196	ACTUATOR-4" STROKE 36 VDC		1
10	3308225	PIN-CLEVIS 1/2 X 2.00 ZP		2
11	3311799	GASKET-VAC. MOTOR		1
12	3311817	NUT-WING NYLON 1/4-20		3
13	3311820	ROD-HOPPER DOOR ACTUATOR PLTD		1
14	3311821	BUSHING-HOPPER DOOR SIDE		1
15	3311822	ASSY-HOPPER DOOR ACTR MNT PNTD		1
16	3311825	SLEEVE-HOPPER DOOR BEARI		2
17	3311826	BUSHING-1 X .72 OD X .62		2
18	3322190	INSERT-5/16-18 UNC		2
19	3347062	WELD-DEBRIS HOPPER		1
20	3347078	BAR-FILTER RETAINER		1
21	3347081	LINK-HOPPER DUMP DOOR (4000)		2
22	3347082	WELD-HOPPER DUMP DOOR		1
23	3347089	BAR-SEAL RET LG DMP DOOR		1
24	3347090	SEAL-HOPPER CORD		1
25	3347091	EDGING-HOPPER DMP DOOR		1
26	3347255	ROD-THD 5/16-18 X 3.0 HOPPER		2
27	3347283	FLAP-HOPPER LIP (4000)		1
28	3347284	SEAL-HOPPER DUMP DOOR (4000)		2
29	3347476	WELD-DUMP DOOR SWITCH MNT 4000		1
30	3400031	SCR-HEX,3/8-16X2.00 ZP		1
31	3400035	SCR-HEX,5/16-18X1.00 ZP		4
32	3400059	SCR-THM 1/4-20 X .75 SS		7
33	3400079	NUT-HEX 3/8-16 ES ZP		2
34	3400087	WASHER-FLAT 3/8 STANDARD		3
35	3400121	PIN-COTTER 5/32 X 1.50 ZP		3



012PY001

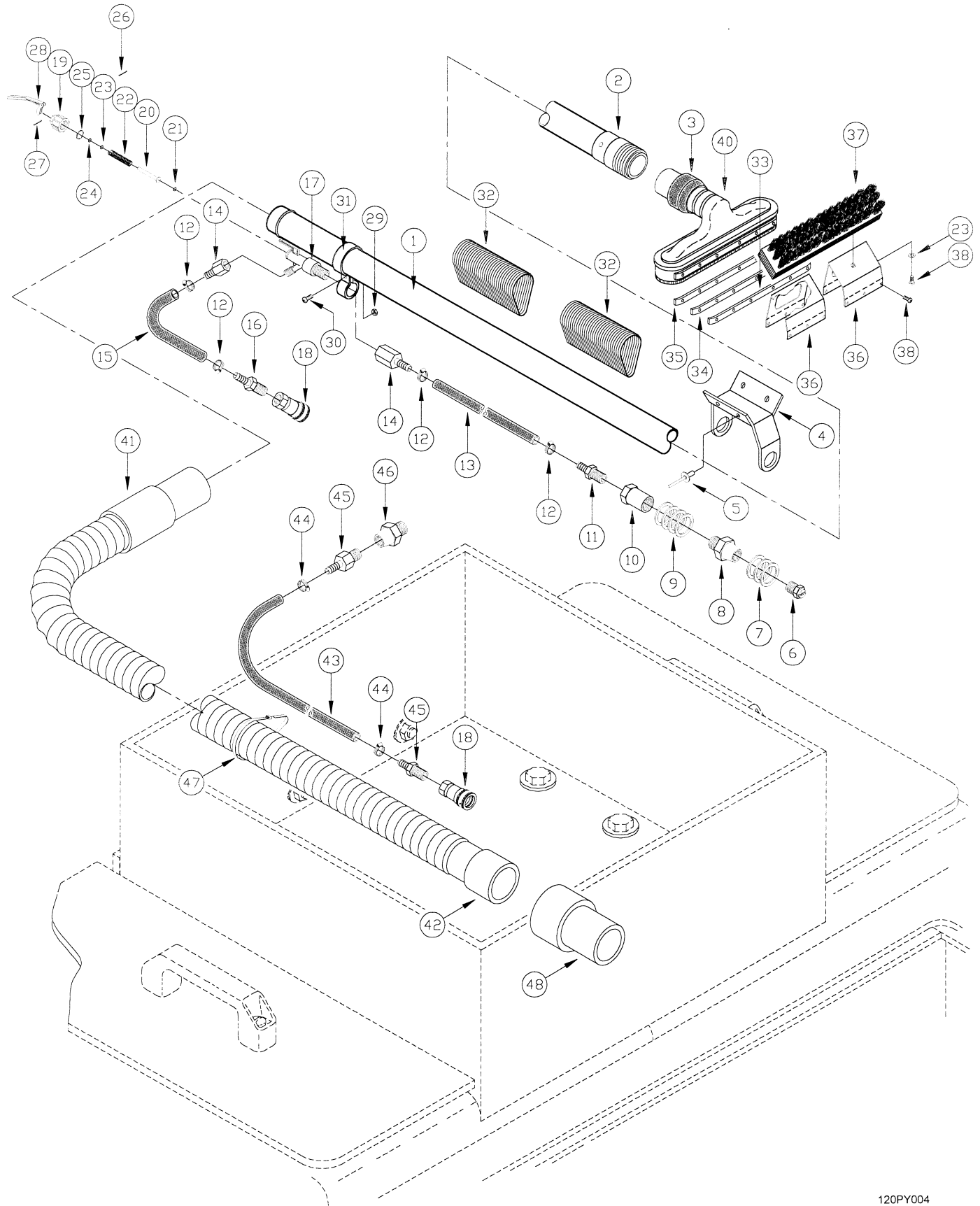


022PY001

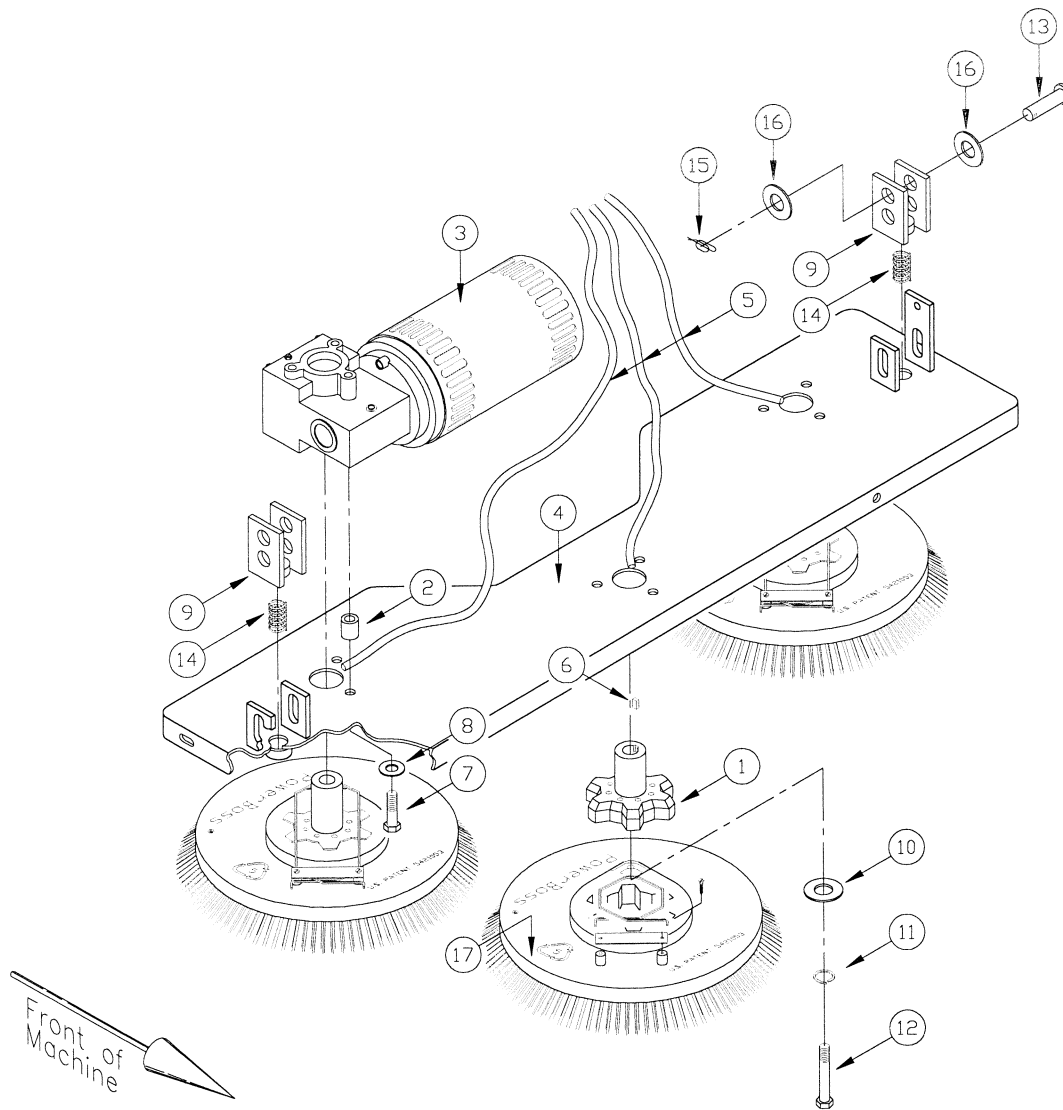


120PY004

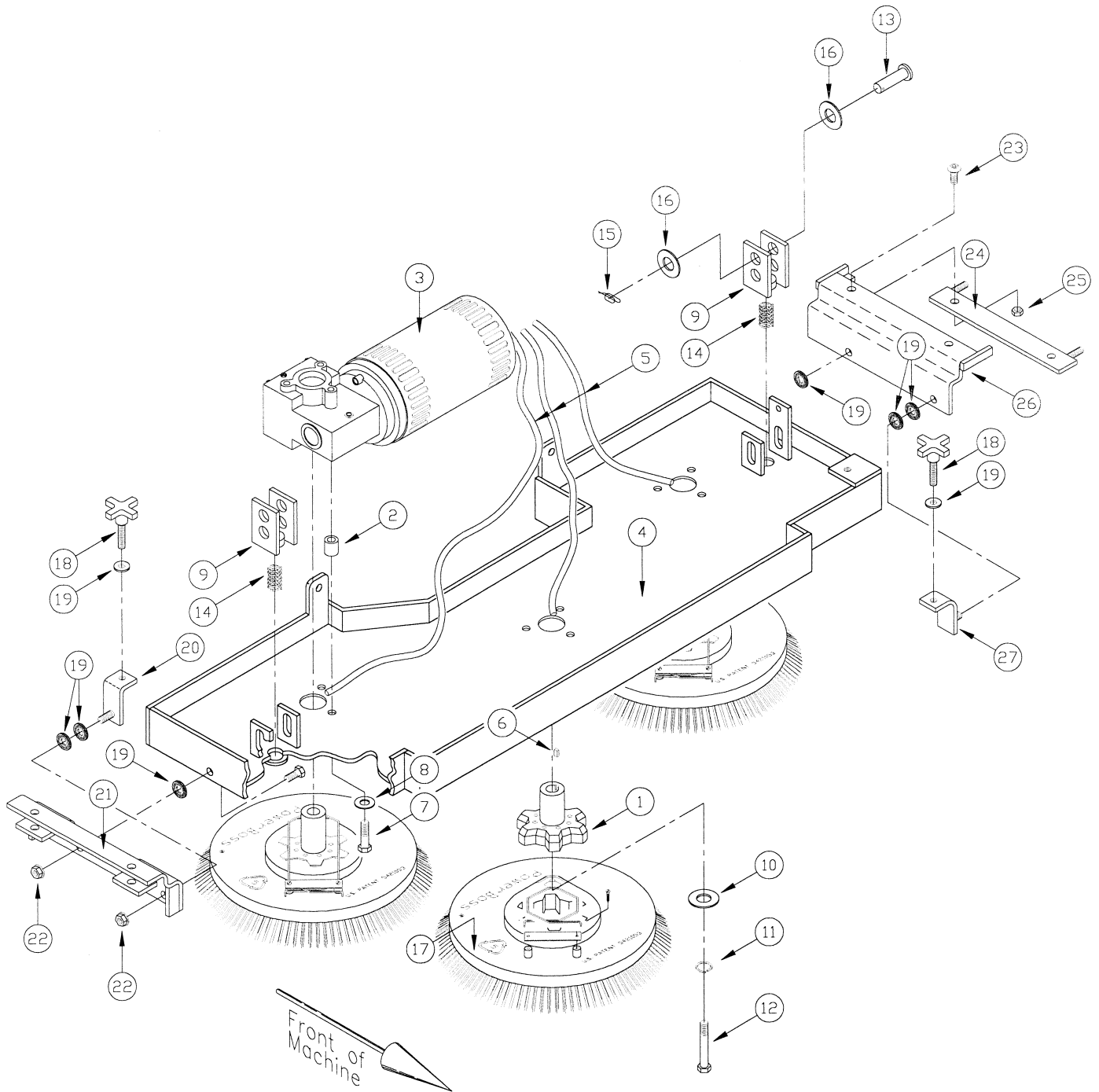
REF #	PART #	DESCRIPTION	REMARKS	QTY.
1	383411	WAND, 1 1/4 AL		1
2	832285	1 1/2 WAND END COUPLING		1
3	832284	NUT FOR 832278/832285		1
4	100004	SPRY JET BKT MC SCRB14GA		1
5	711903	RIVET-POP .19 X .25 AL		4
6	829115	VEEJET 1/4		1
7	711594	WSR-FLT .56 X .88 X .03		3
8	833384	VALVE-CHECK 1/4AB-5LB		1
9	832884	SPACER-EX 16		1
10	828953	CONNECTOR-FLARE		1
11	833488	HB SWIV FL 146HBLFSV-4-4		1
12	828490	CLAMP-CRIMP 140R		4
13	828488	HOSE-1/4 X .5 275 PSI NY		3 LF.
14	831327	FITTING-1/4FPT 1/4BARB B		2
15	828488	HOSE-1/4 X .5 275 PSI NY		.42 LF.
16	829106	FITTING-1/4MPT 1/4BARB B		1
17	390052	VALVE BODY		1
18	828370	COUPLER-FEMALE BH2-60		2
19	390055	VALVE CAP		1
20	390054	VALVE STEM BRASS		1
21	390062	O-RING-VALVE SEAT BODY		1
22	390049	SPRING-COMP .212 X .312		1
23	712320	WSR .22 X .45 X .04 NYL		3
24	390061	O-RING-VALVE STEM		1
25	390060	O-RING-SEAL VALVE CAP		1
26	390063	RD HD GRV STUD #2427		1
27	711803	PIN-COTTER .06 X .75		1
28	390053	TRIGGER SOL VALVE		1
29	712636	NUT-HEX 10-32 SS		1
30	712545	SCR-MC 10-32 X .87 SS		1
31	390056	VALVE MOUNT		1
32	762173	TUBE-SHRINK 2.00 ID HSPV		1
33	500295	RUBBER SQUEEGEE		2
34	500296	RUBBER REINFORCEMENT		2
35	800615	RETAINER STRIP		2



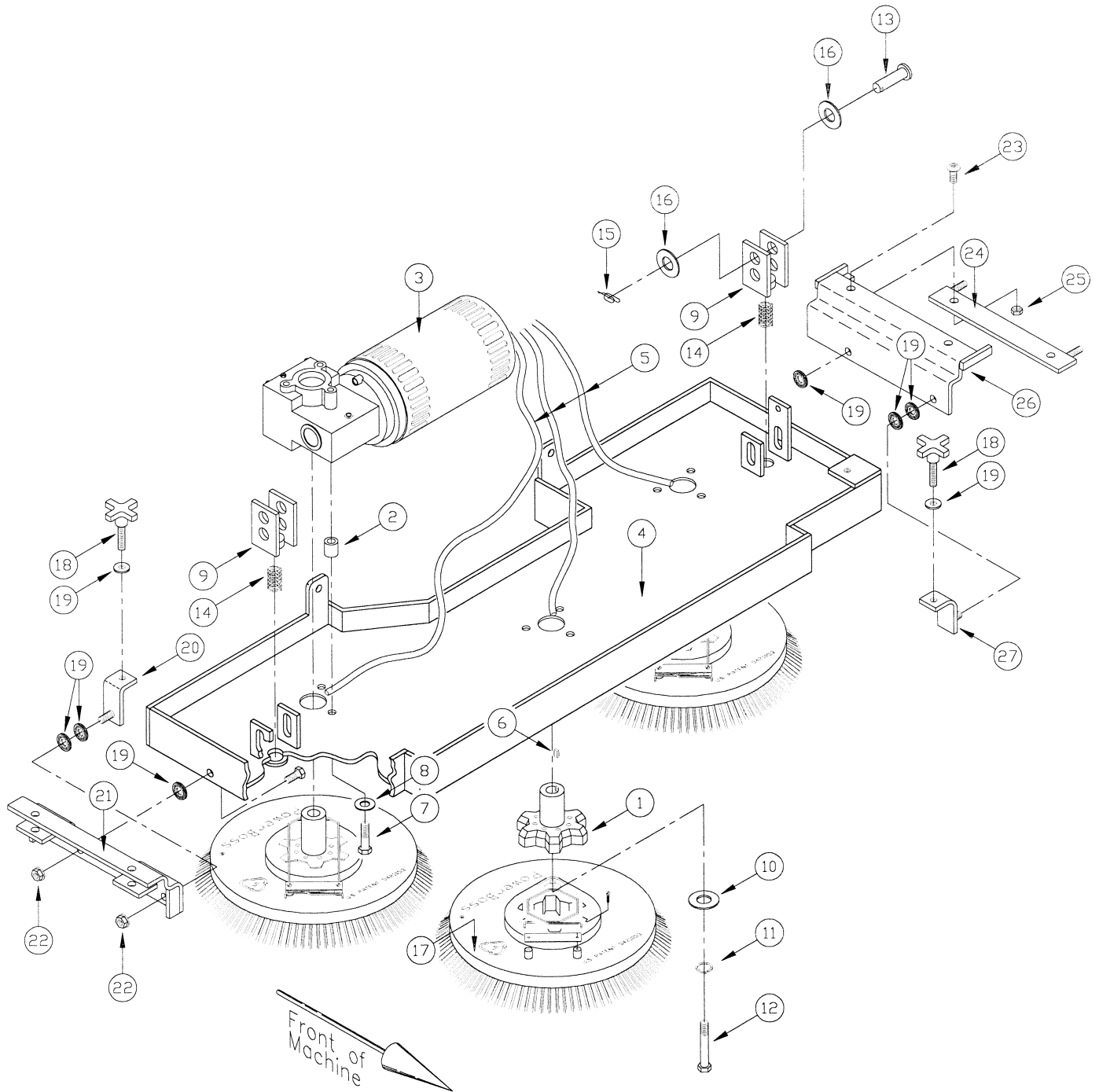
120PY004

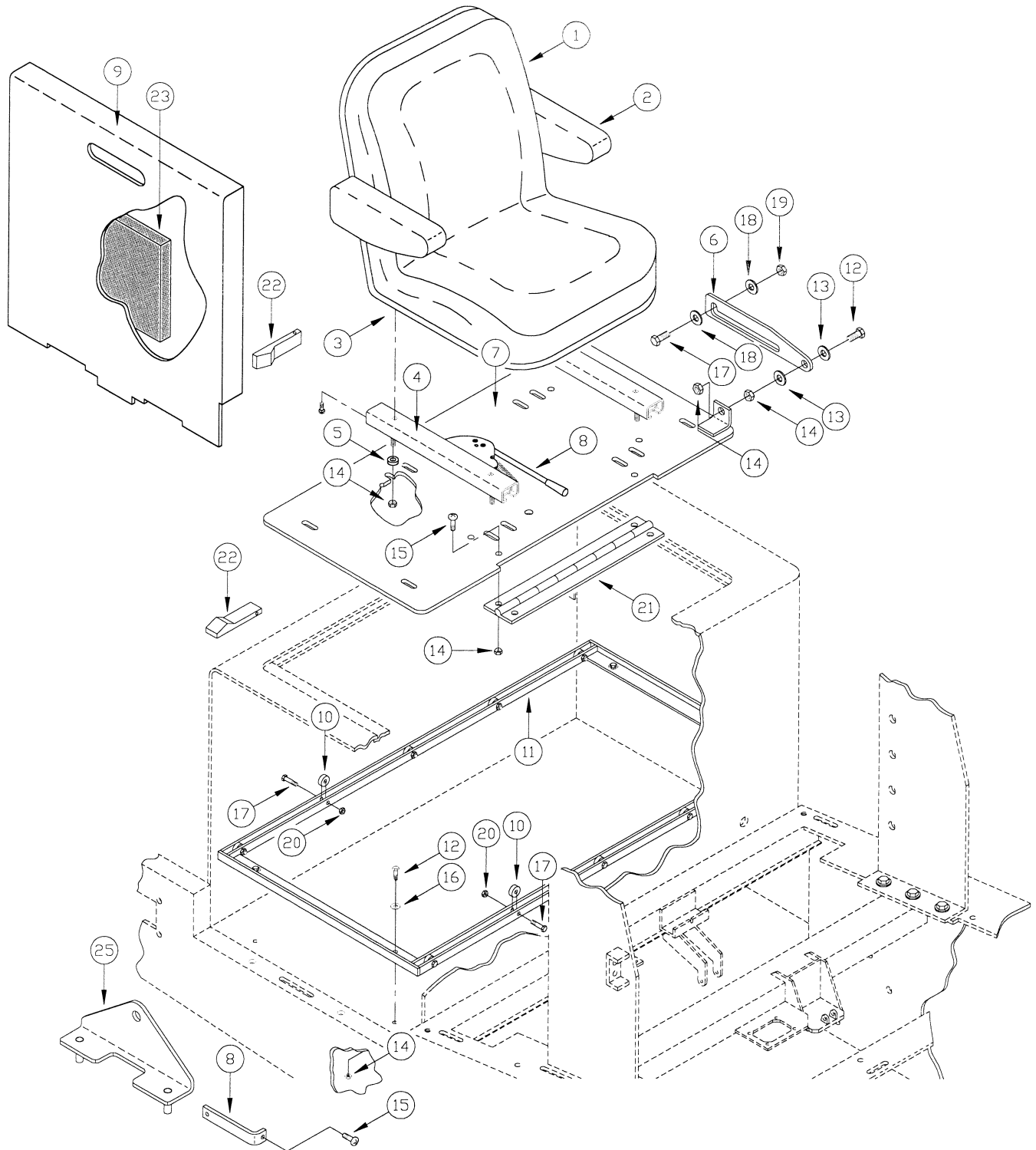


REF #	PART #	DESCRIPTION	REMARKS	QTY.
1	3308443	HUB-VS1000 SCRUB BRUSH		3
2	3347263	SPACER-SCRUB MTR - 4000		9
3	3347340	MOTOR-SCRUBDECK 36VDC		3
4	3347386	WELD-SCRUBDECK 4000		1
5	3347496	HOSE SOL 1/8 X 48" LONG		3
6	3347514	KEYSTOCK-1/4X1/4X2.0		3
7	3400029	SCR-HEX,3/8-16X1.25 ZP		9
8	3400101	WASHER-LOCK 3/8 SPLIT ZP		9
9	3347384	WELD-INNER SCRUBDECK MOU		2
10	3400233	WASHER-FENDER 5/16 1.00		3
11	3400384	WASHER-CONICAL SPRING		3
12	3400231	SCR-HEX,5/16-18X2.0 ZP		3
13	3308225	PIN-CLEVIS 1/2 X 2.00 ZP		4
14	260137	COMPRESSION SPRING		2
15	3400124	PIN-COTTER 5/8 RUE-RING		2
-	3347373	WELD-SCRUBDECK LIFT LEV RH	Not Shown	1
-	3347377	WELD-SCRUBDECK LIFT LEV LH	Not Shown	1
-	3347379	WELD-SCRUBDECK LIFT TUBE	Not Shown	1
-	3347434	ROD-SCRUBDECK MOUNT	Not Shown	1
-	3347435	PLATE-SCRUBDECK MOUNT RT	Not Shown	1
-	3347436	PLATE-SCRUBDECK MOUNT LT	Not Shown	1
-	260211	SQUEEGEE SPRING	Not Shown	1
-	832554	FLANGE BUSHING	Not Shown	2
16	3400086	WASHER-FLAT 1/2 STANDARD		8
	-	Choice Of Brushes Follow:	-	-
17	3313133	BRUSH-SCRUB 14" PLAS BUT		3
	3313135	BRUSH-SCRUB 14" PLASTIC		3
	3315494	BRUSH-14" PWR DRIVE W/PA		3
	3315386	POWER DRIVE-14"POWERGRIT		3
	3313127	POWER DRVE-14" POWERGRIT		3
	3313125	POWER DRIVE-14"POWERGRIT		3
	3332544	BRUSH-14" MID GRIT		3
	3313131	BRUSH-SCRUB 14" PLAS WIR		3
-	-	End Of This Section	-	-

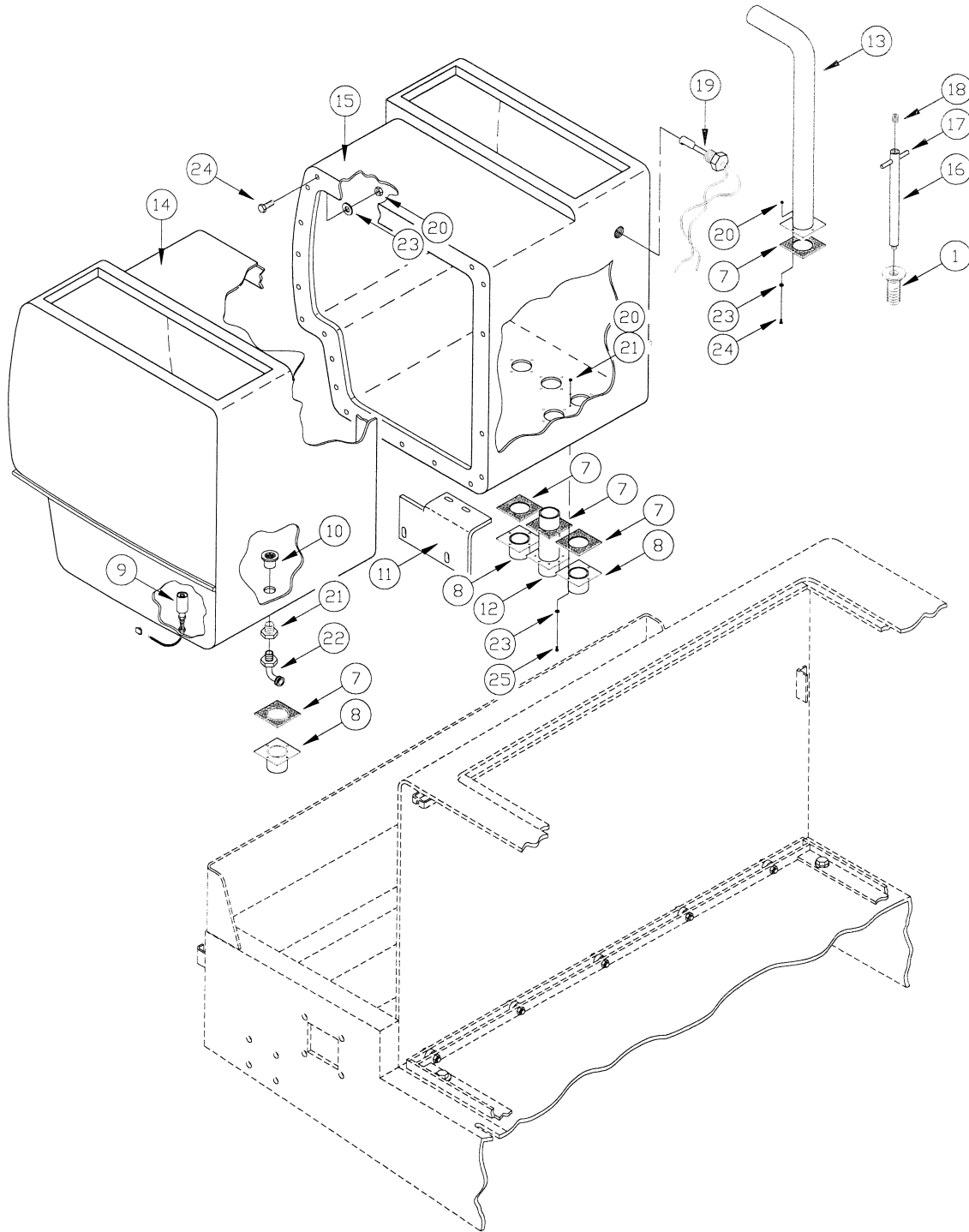


REF #	PART #	DESCRIPTION	REMARKS	QTY.
1	3308443	HUB-VS1000 SCRUB BRUSH		3
2	3347263	SPACER-SCRUB MTR - 4000		9
3	3347340	MOTOR-SCRUBDECK 36VDC		3
4	3347386	WELD-SCRUBDECK 4000		1
5	3347496	HOSE SOL 1/8 X 48" LONG		3
6	3347514	KEYSTOCK-1/4X1/4X2.0		3
7	3400029	SCR-HEX,3/8-16X1.25 ZP		9
8	3400101	WASHER-LOCK 3/8 SPLIT ZP		9
9	3347384	WELD-INNER SCRUBDECK MOU		2
10	3400233	WASHER-FENDER 5/16 1.00		3
11	3400384	WASHER-CONICAL SPRING		3
12	3400231	SCR-HEX,5/16-18X2.0 ZP		3
13	3308225	PIN-CLEVIS 1/2 X 2.00 ZP		4
14	260137	COMPRESSION SPRING		2
15	3400124	PIN-COTTER 5/8 RUE-RING		2
-	3347373	WELD-SCRUBDECK LIFT LEV RH	Not Shown	1
-	3347377	WELD-SCRUBDECK LIFT LEV LH	Not Shown	1
-	3347379	WELD-SCRUBDECK LIFT TUBE	Not Shown	1
-	3347434	ROD-SCRUBDECK MOUNT	Not Shown	1
-	3347435	PLATE-SCRUBDECK MOUNT RT	Not Shown	1
-	3347436	PLATE-SCRUBDECK MOUNT LT	Not Shown	1
-	260211	SQUEEGEE SPRING	Not Shown	1
-	832554	FLANGE BUSHING	Not Shown	2
16	3400086	WASHER-FLAT 1/2 STANDARD		8
-	-	Choice Of Brushes Follow:	-	-
17	3313133	BRUSH-SCRUB 14" PLAS BUT		3
	3313135	BRUSH-SCRUB 14" PLASTIC		3
	3315494	BRUSH-14" PWR DRIVE W/PA		3
	3315386	POWER DRIVE-14"POWERGRIT		3
	3313127	POWER DRVE-14" POWERGRIT		3
	3313125	POWER DRIVE-14"POWERGRIT		3
	3332544	BRUSH-14" MID GRIT		3
	3313131	BRUSH-SCRUB 14" PLAS WIR		3
18	3402065	KNOB-3/8-16 X 2.00 FLUTE		2
19	711592	WSR .5 X 1.06 X .06 NYL		8

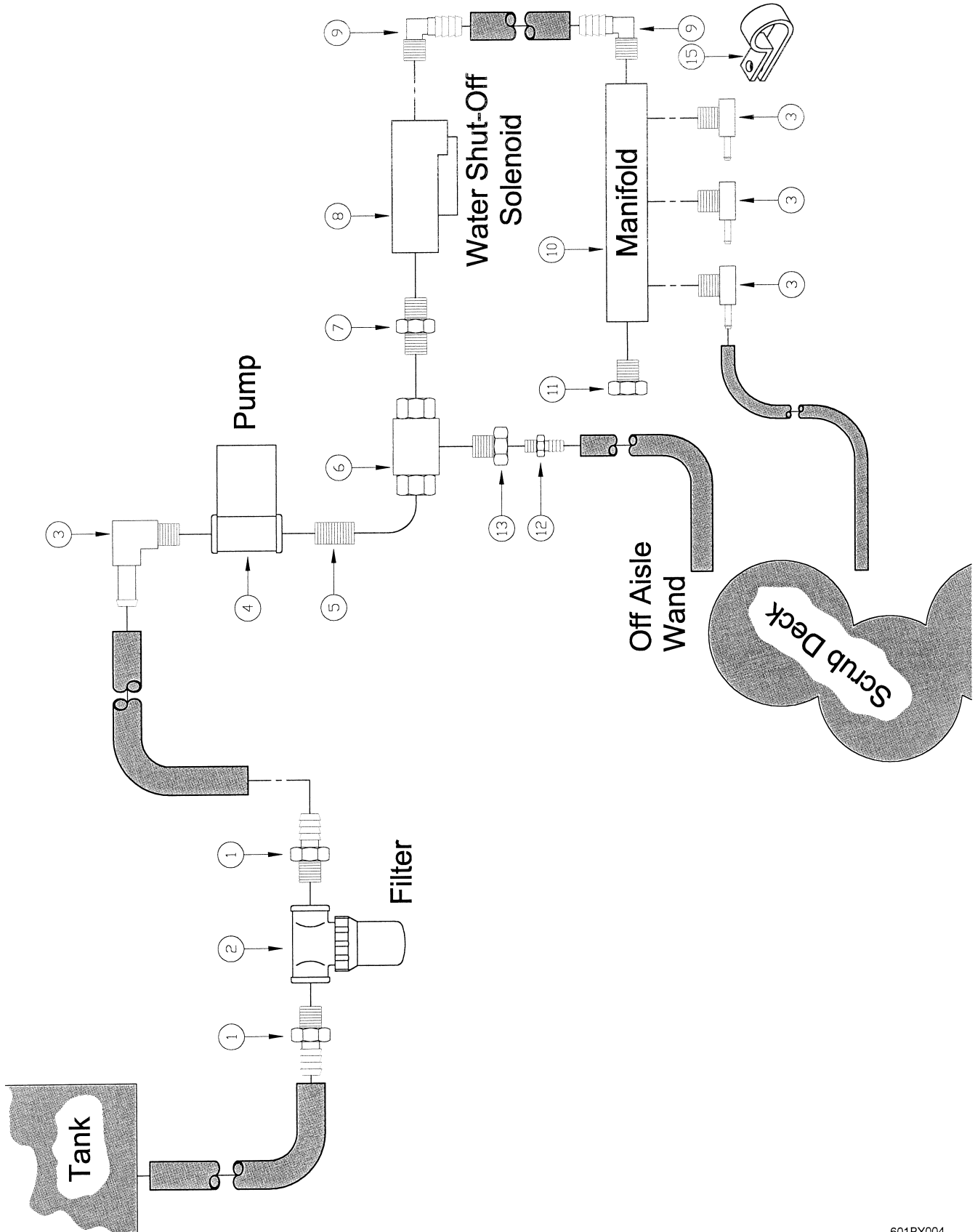




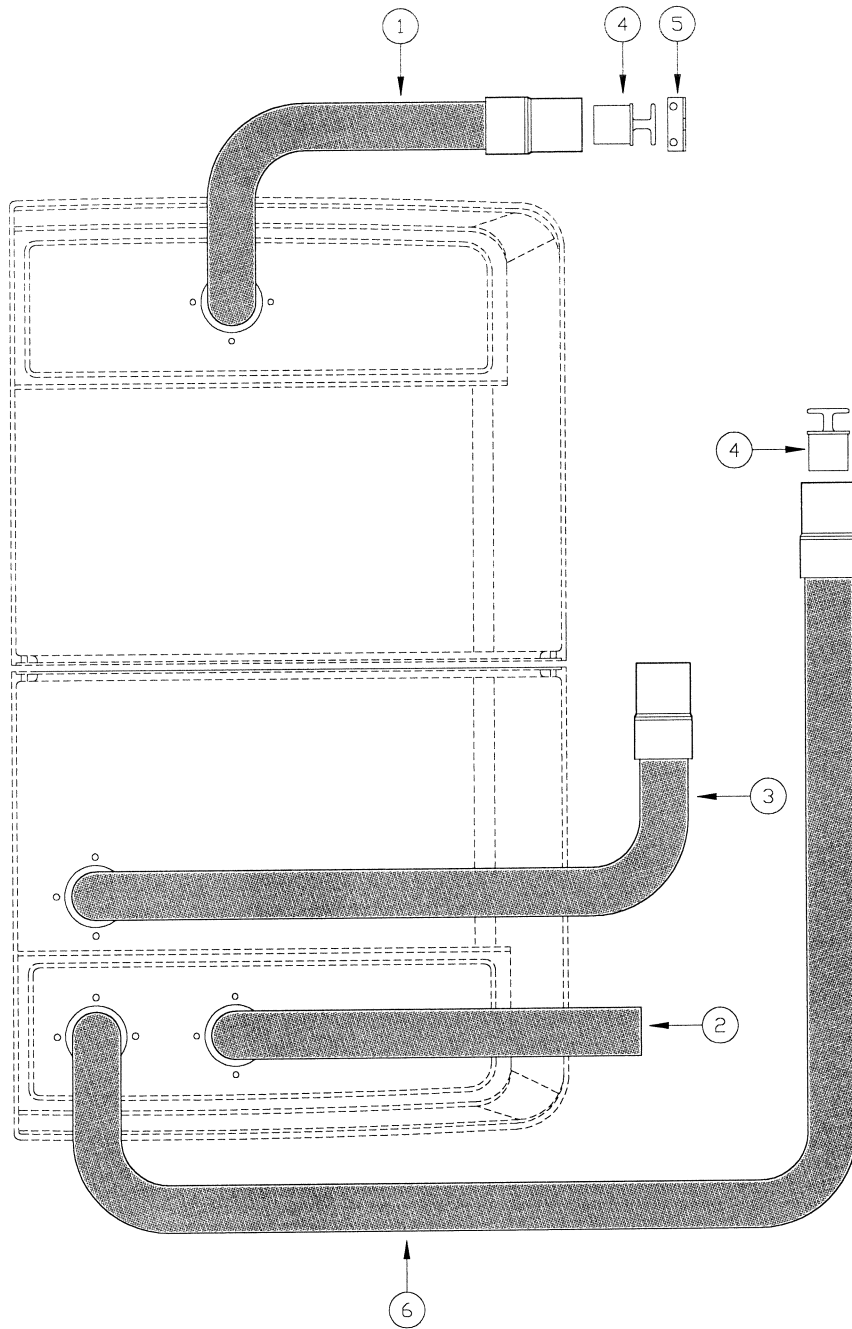
050PY001

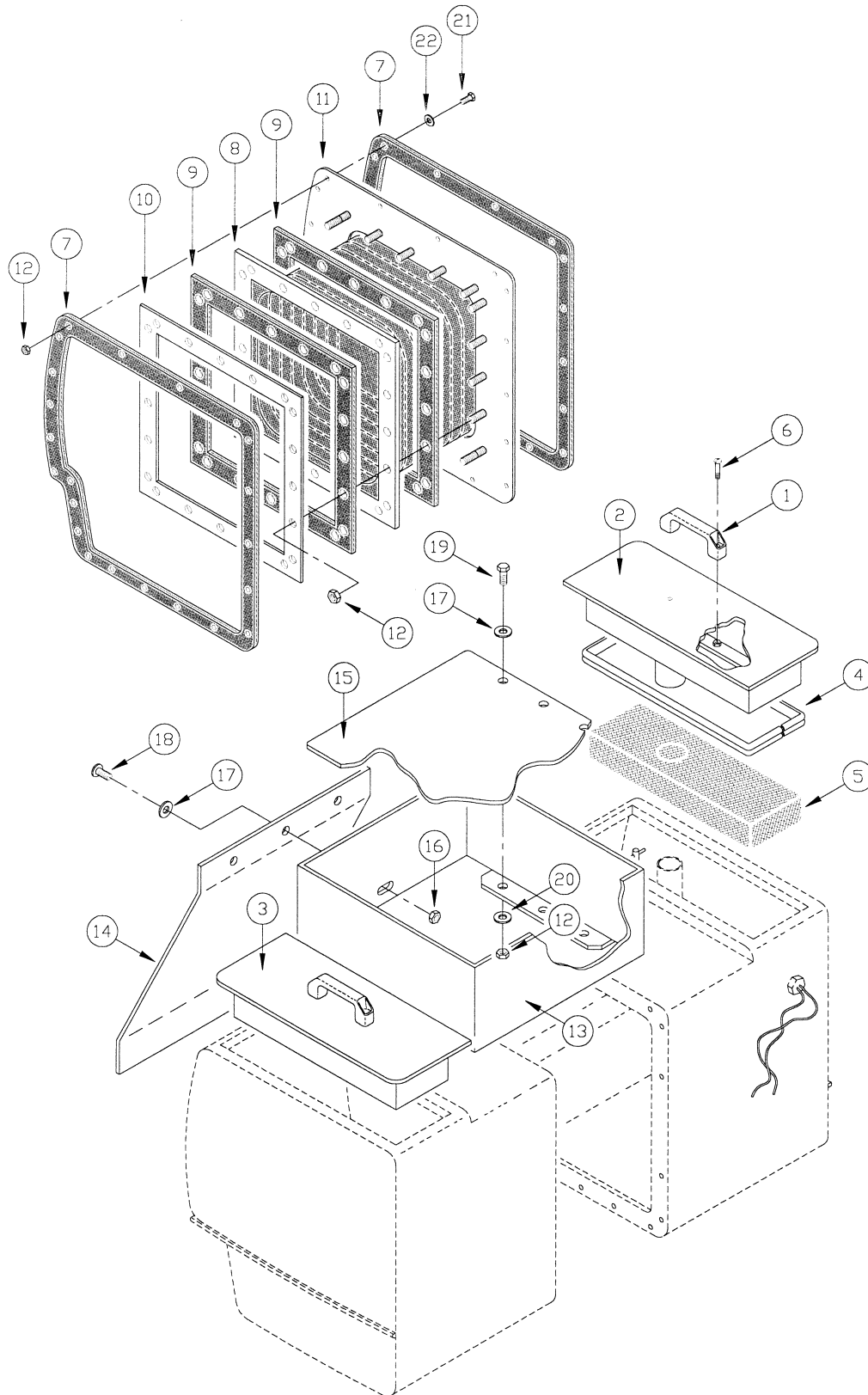


120PY002

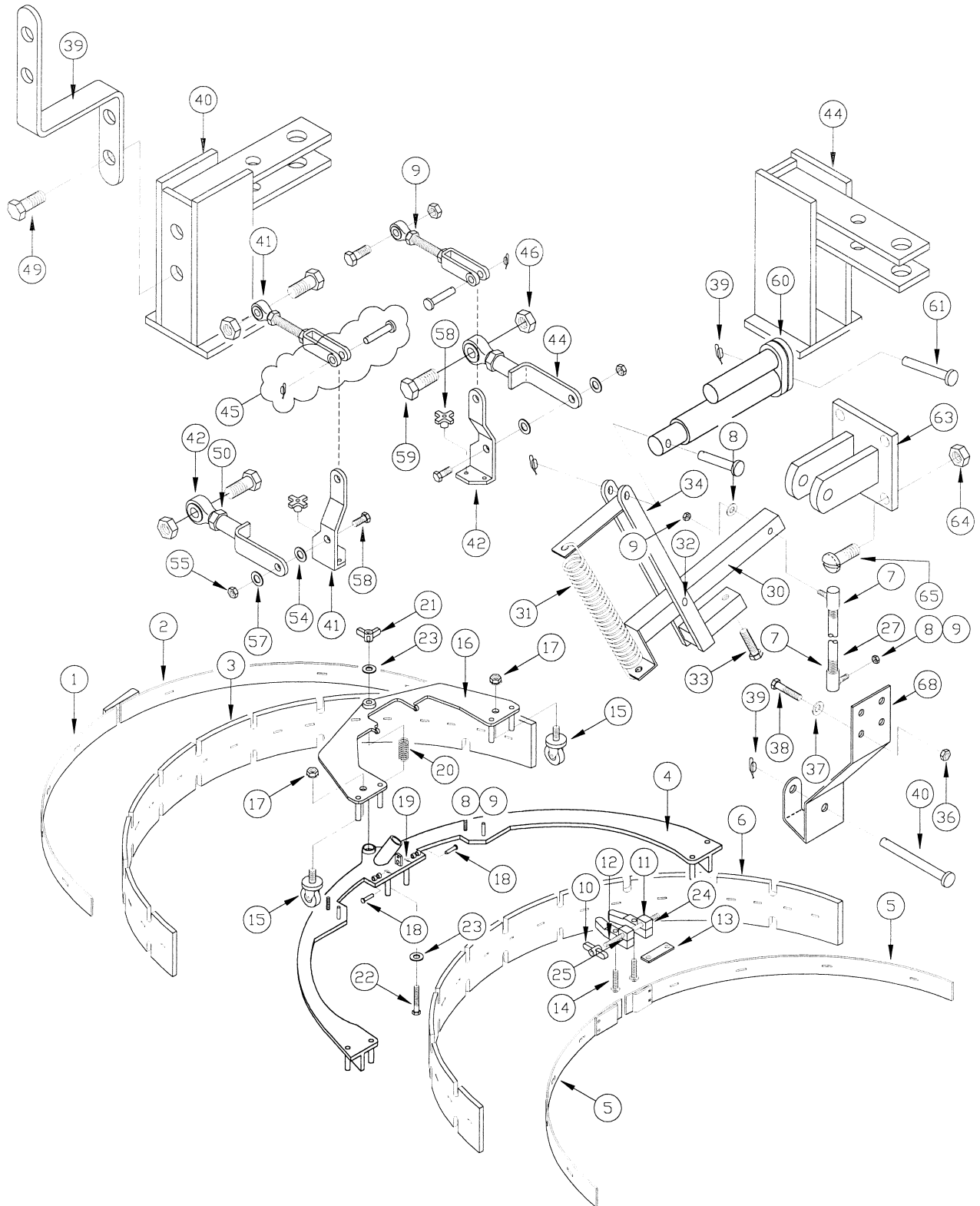


601PY004



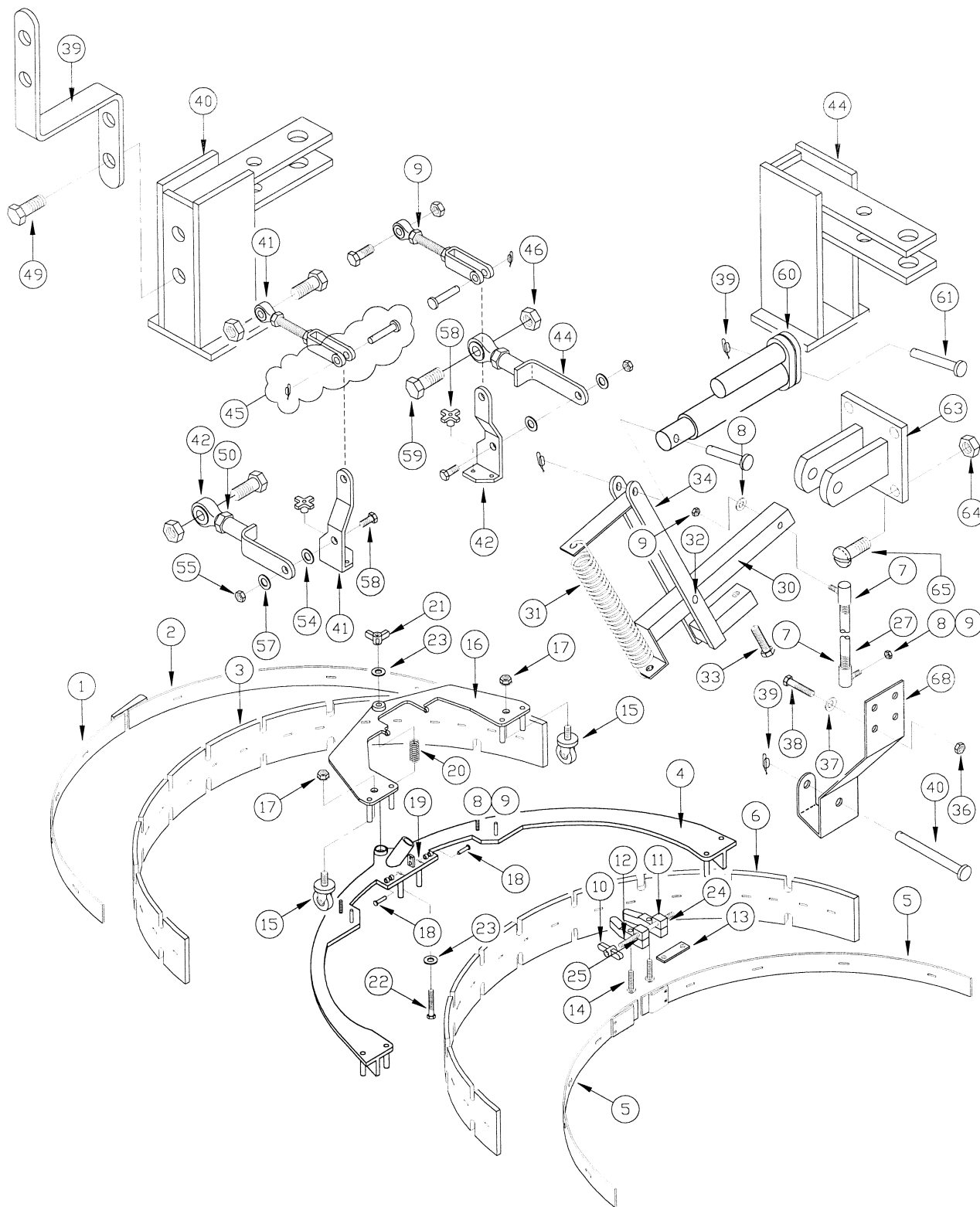


120PY003

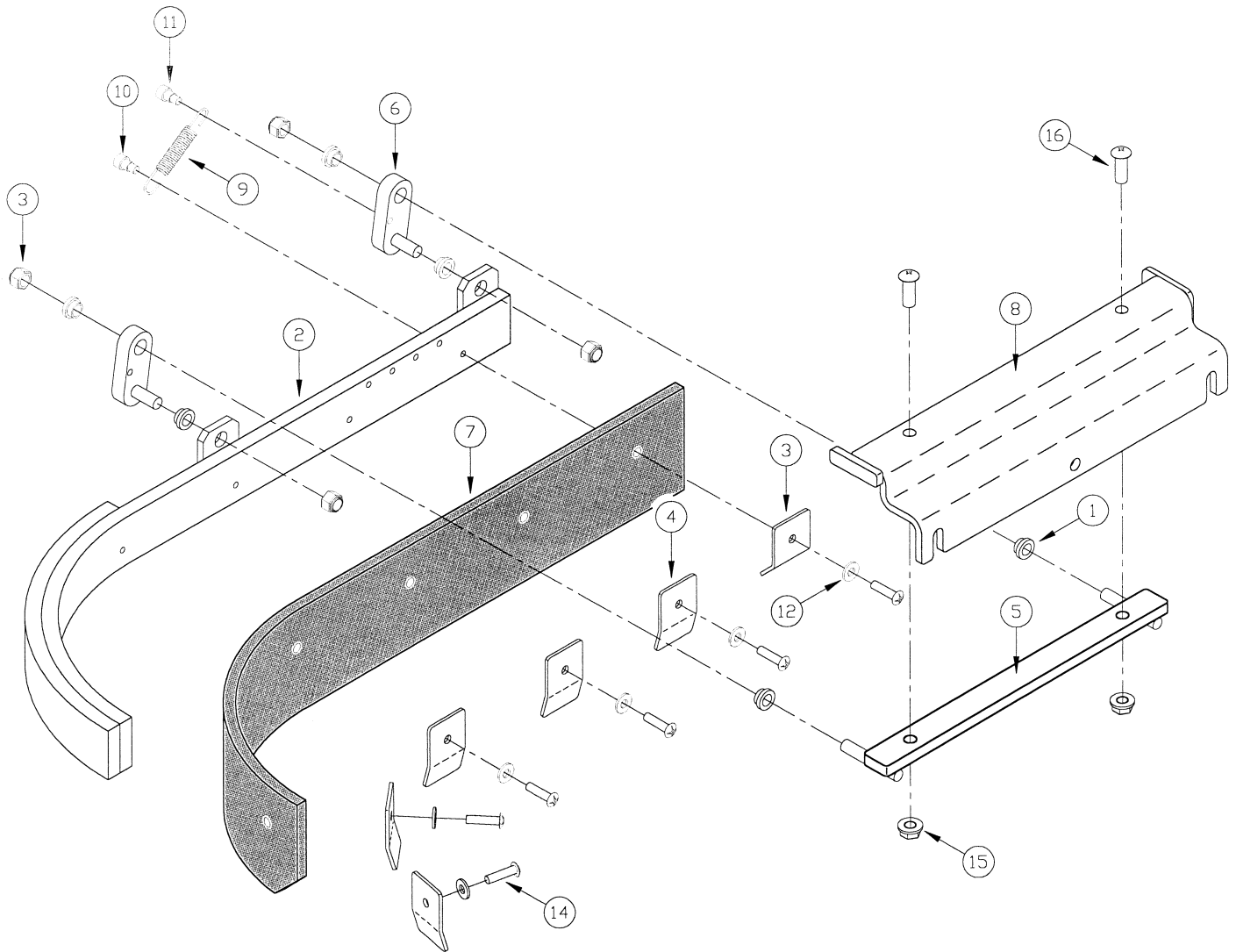


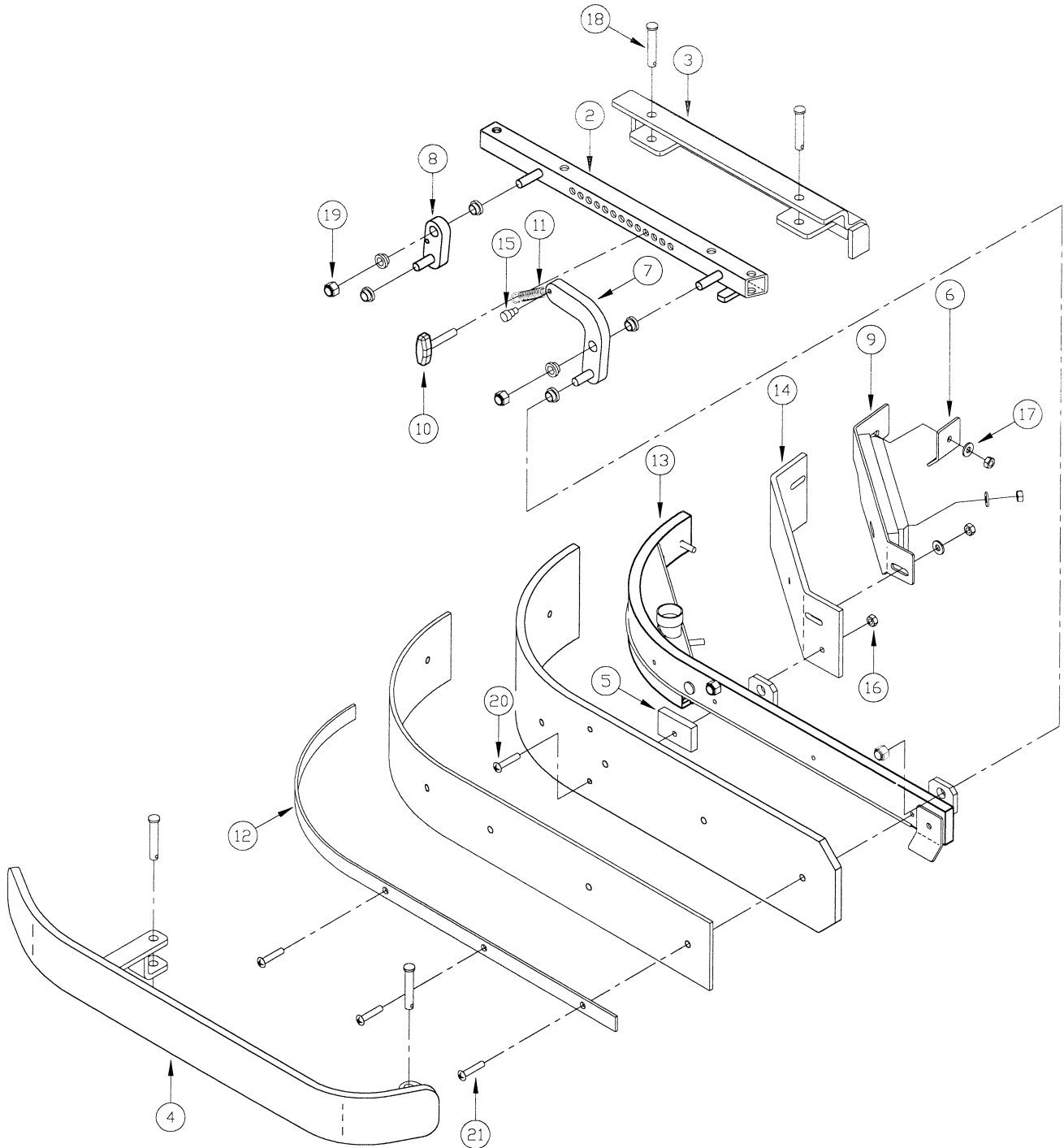
100PY004

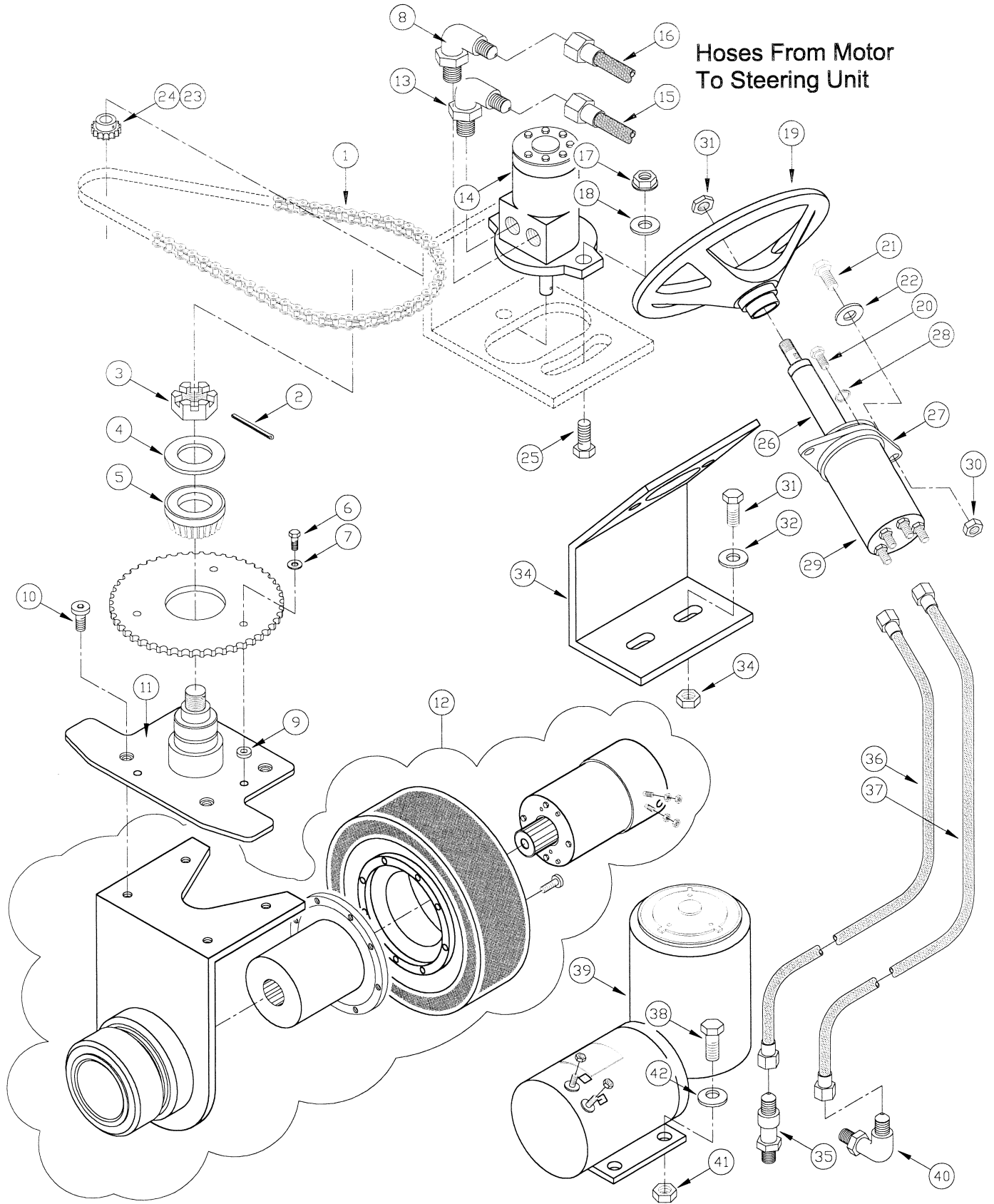
REF #	PART #	DESCRIPTION	REMARKS	QTY.
1	3347441	WELD-SQ STRAP REAR RH		-
2	3347443	WELD-SQ STRAP REAR LH		-
3	3347337	RUBBER-SQUEEGEE REAR		-
4	3347450	WELDMENT-REAR SQUEEGEE 4000		-
5	3347437	WELD-SQUEEGEE STRAP FRONT		-
6	3347338	RUBBER-SQUEEGEE FRONT		-
7	3300820	BALL JOINT-3/8-24 W/QK RELEASE		-
8	3400101	WASHER-LOCK 3/8 SPLIT ZP		-
9	3400067	NUT-HEX 3/8-24 ZP		-
10	3347462	KNOB-INNER SQUEEGEE CLAM		-
11	3347432	LEVER-SQUEEGEE STRAP LOCK		-
12	3347431	SCREW-SQUEEGEE STRAP LOCK		-
13	3347428	PLATE-STRAP LOCK RETAINER		-
14	3400816	SCR-SOC HD 10-24 X 1/2 SS		-
15	4303250	CASTER ASSY.		-
16	3347549	WELD-SQG HT ADJ PLATE		-
17	3400392	NUT-FLANGE LOCK 3/8-16		-
18	711672	PIN-CLEVIS 1/2 X 2.00		-
19	711808	PIN-HAIRPIN COTTER #13		-
20	3347548	SPRING-COMP .970 X 3.00 ZP		-
21	430074	ADJUSTING NUT 17B/E		-
22	3347551	SCR-HHTB 3/8-16 X 3 1/2		-
23	3400087	WASHER-FLAT 3/8 STANDARD		-
24	3347429	SWIVEL-SQUEEGEE STRAP LOCK		-
25	3347430	SWIVEL-SQUEEGEE STRAP LOCK		-
26	3317674	ROD-DIRECTIONAL CONTROL		-
27	3347370	WELD-SQUEEGEE LIFT		-
28	260211	SQUEEGEE SPRING		-
29	3300431	BUSHING-.499 ID X .594 OD		-
30	3400021	SCR-HEX,1/2-13X1.75 ZP		-
31	3347352	WELD-SQUEEGEE LIFT LEVER		-
32	3400390	NUT-FLANGE LOCK 5/16-18		-
33	3400384	WASHER-CONICAL SPRING 5/16		-
34	3400037	SCR-HEX,5/16-18X2.75 ZP		-
35	711808	PIN-HAIRPIN COTTER #13		-



100PY004

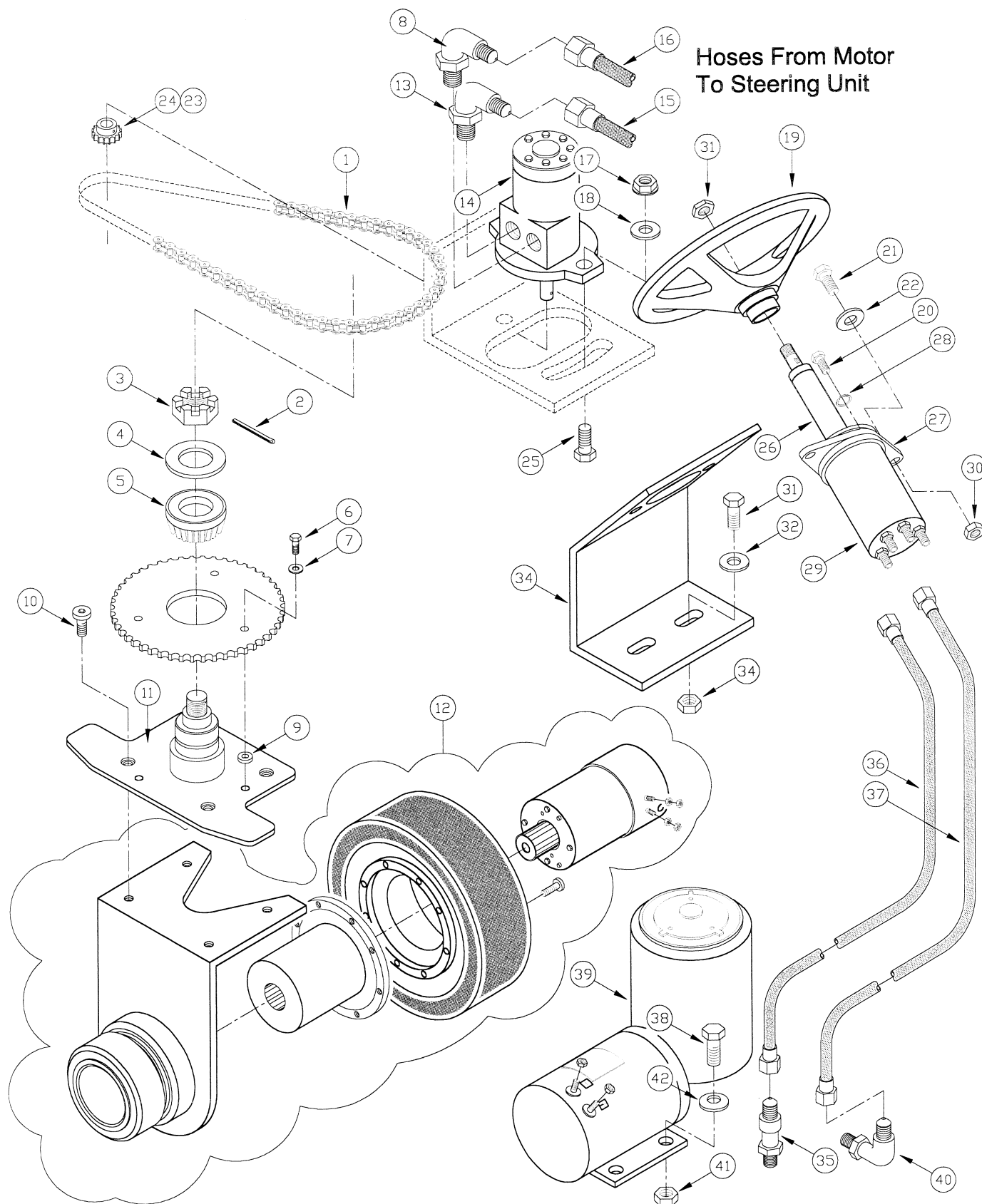




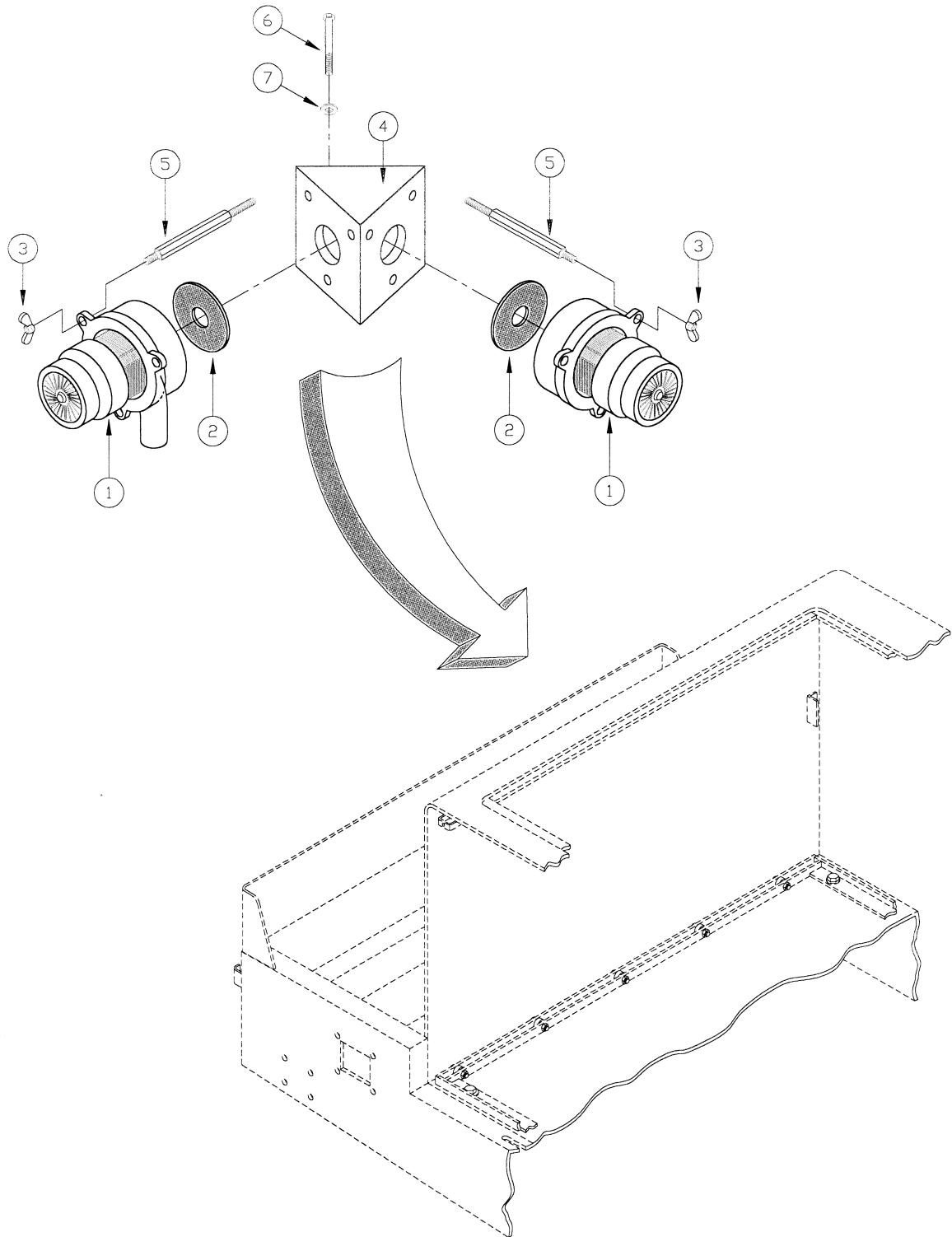


040PY002

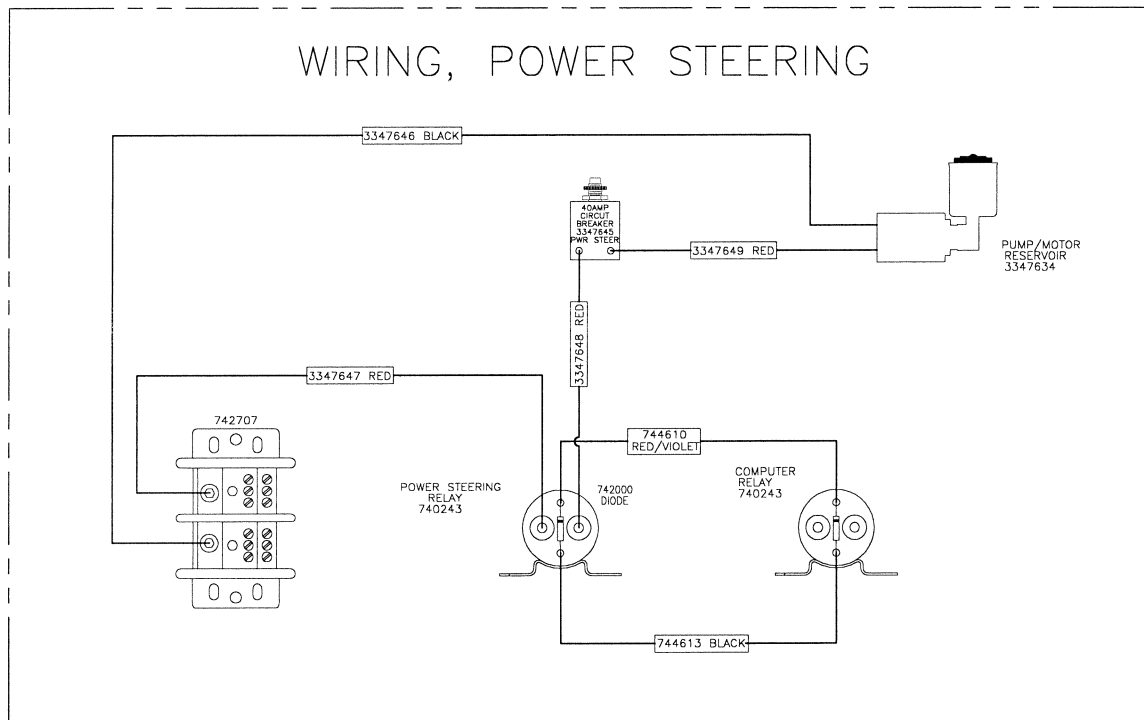
REF #	PART #	DESCRIPTION	REMARKS	QTY.
1	3347639	CHAIN-STEERING #40 W/LIN		-
2	3400122	PIN-COTTER 1/8 X 2.00 ZP		-
3	712113	CASTLE NUT 7/8-14		-
4	383364	THRUST WASHER		-
5	383077	ROLLER BEARING		-
6	3400030	SCR-HEX,3/8-16X1.00 ZP		-
7	3400101	WASHER-LOCK 3/8 SPLIT ZP		-
8	3400822	FTG-STR CONN (6-10 F50X-		-
9	809247	SPACER .442X.50X.312		-
10	3401005	SCR-SHCS M10 X 25		-
11	3347015	WELD-DRIVE WHEEL TURRET		-
12	3347327	MOTOR-DRIVE WHEEL (4000)		-
13	3400848	FTG-90 ELBOW (6-10C50X)		-
14	3347636	MOTOR-HYD DH100 TYPE A2		-
15	3347670	HOSE-MTR TO STR UNIT		-
16	3347671	HOSE-MTR TO STR UNIT		-
17	3400065	NUT-HEX 1/2-13 ZP		-
18	3400098	WASHER-LOCK 1/2 SPLIT ZP		-
19	338215	STEERING WHEEL		-
20	3347642	SCR-BHSC M6 X 16		-
21	3400790	SCREW-BHSCS .375-16 X 1		-
22	3400385	WASHER-CONICAL SPRING		-
23	3347638	BUSHING-TAPER LOCK JA1		-
24	3347637	SPROCKET-40JA18 4000		-
25	3347675	SCR-BHSC 1/2-13 X 2.0		-
26	3347635	COLUMN-STEER OTPM163		-
27	3347643	PLATE-ADAPTER COLUMN TO		-
28	3400104	WASHER-LOCK #10 SPLIT ZP		-
29	3339332	STR- HYD UNIT PBLB		-
30	3400393	NUT-FLANGE LOCK 3/8-24		-
31	3400037	SCR-HEX,5/16-18X2.75 ZP		-
32	3400384	WASHER-CONICAL SPRING		-
33	3400390	NUT-FLANGE LOCK 5/16-18		-
34	3347627	PLATE-WD STEER UNIT MNT		-
35	3400635	FTG-ADAPTOR CONNECTOR		-



040PY002

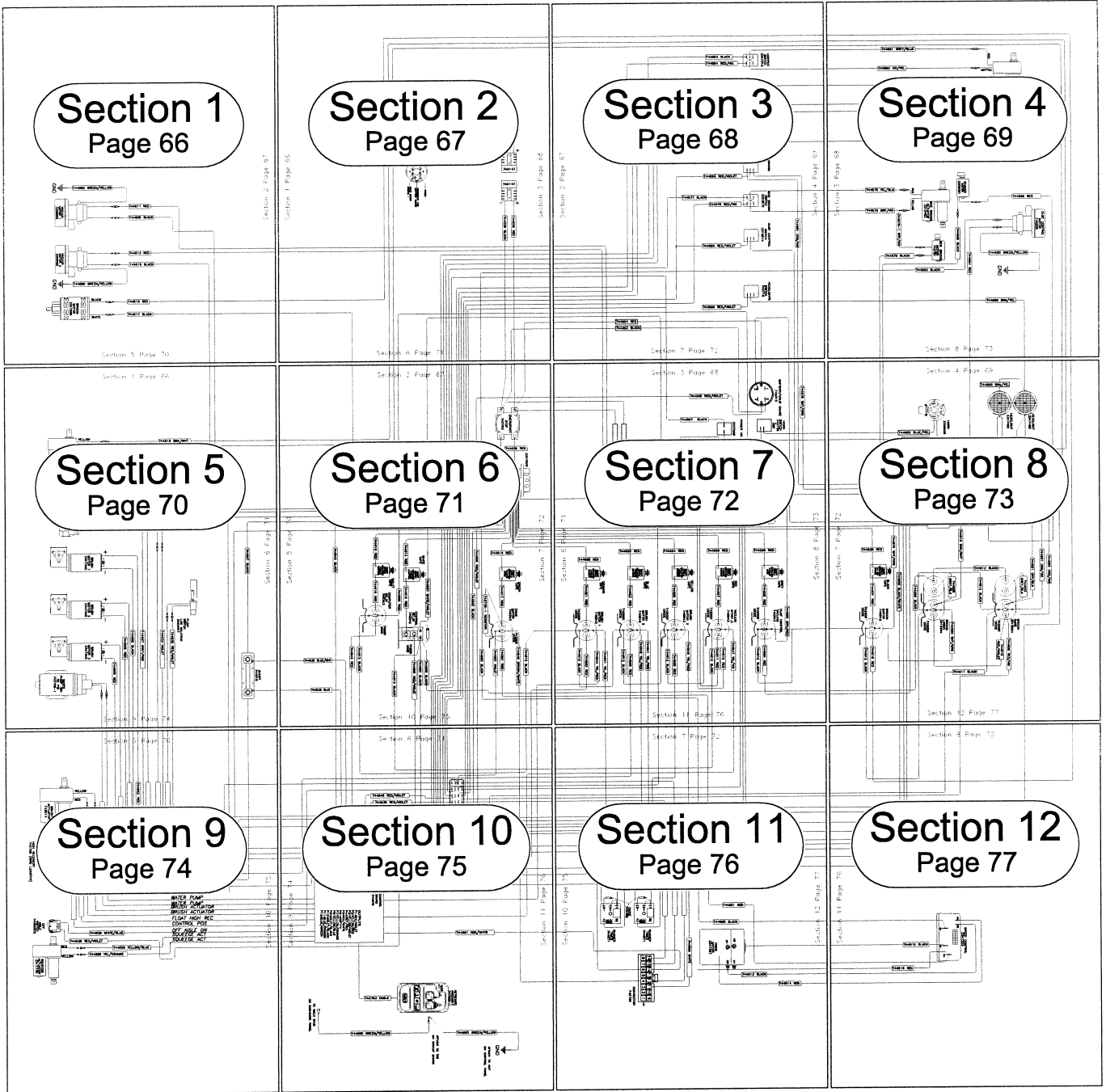


400PY001

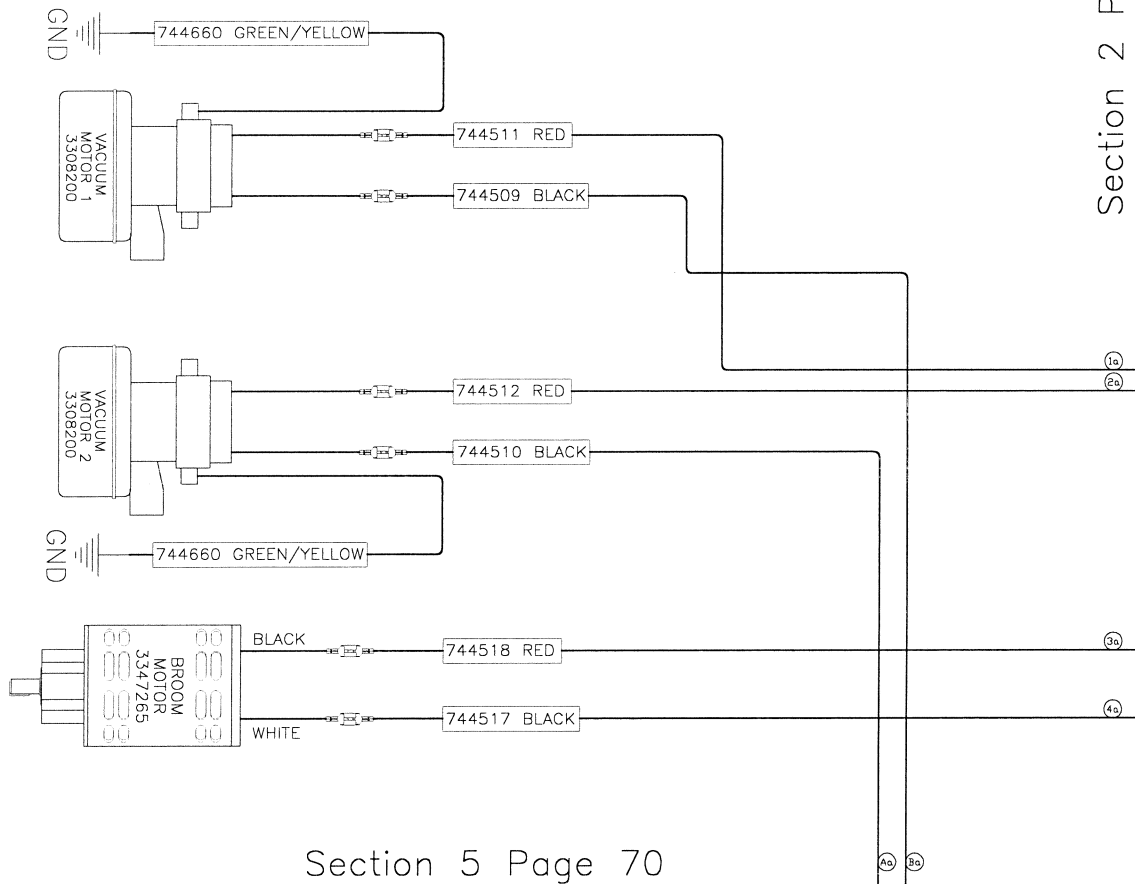


For This And
Following Wiring
Diagram

BROWN/WHITE	BROOM ACTUATOR DOWN	RED	POSITIVE
GREY/BLACK	BROOM ACTUATOR UP	BLACK	NEGATIVE
WHITE/ORANGE	BROOM SWITCH LOWER	VIOLET/BLACK	WATER PUMP POSITIVE
ORANGE/VIOLET	BROOM SWITCH RAISE	RED/VIOLET	CONTROL POSITIVE
GREY/BLUE	HOPPER ACTUATOR NEGATIVE	GREY/RED	WATER SOLENOID VALVE POSITIVE
VIOLET/YELLOW	HOPPER ACTUATOR POSITIVE	WHITE/BLUE	OFF ISLE WAND
YELLOW/ORANGE	SQUEEGE ACTUATOR NEGATIVE	BLACK/GREEN	SOLUTION LOW SWITCH
YELLOW/BLUE	SQUEEGE ACTUATOR POSITIVE	BLUE	LEFT SIDE SHUNT
BLUE/ORANGE	BRUSH ACTUATOR POSITIVE	BLUE/WHITE	RIGHT SIDE SHUNT
BLUE/GREEN	BRUSH ACTUATOR NEGATIVE	BLACK/WHITE	THROTTLE- FORWARD
YELLOW/BLACK	SIDE BROOM ACTUATOR NEGATIVE	WHITE	THROTTLE- REVERSE
GREY/VIOLET	SIDE BROOM ACTUATOR/MOTOR POSITIVE	BROWN	RECOVERY FULL SWITCH
YELLOW/RED	BRUSH COIL ON	VIOLET	SEAT SAFETY SWITCH
YELLOW/VIOLET	VACUUM COIL ON	BLACK/ORANGE	THROTTLE 0-5V
BROWN/WHITE	DRIVER MOTOR COIL ON	BROWN/GREEN	GATE LIMIT SWITCH
WHITE/VIOLET	CONTROL COIL ON	GREY/ORANGE	GATE ACTUATOR
BROWN/RED	DUST CONTROL COIL ON		
BROWN/YELLOW	HEAD LIGHTS		
BLUE/YELLOW	HORN		



Key Plan



Section 2 Page 67

Section 5 Page 70

Section 1 Page 66

1a
2a

3a

4a

Section 6 Page 71

Ab

Bb

Cb

Db

Eb

Fb

Gb

Hb

Ib

Jb

Kb

Lb

Mb

Nb

Ob

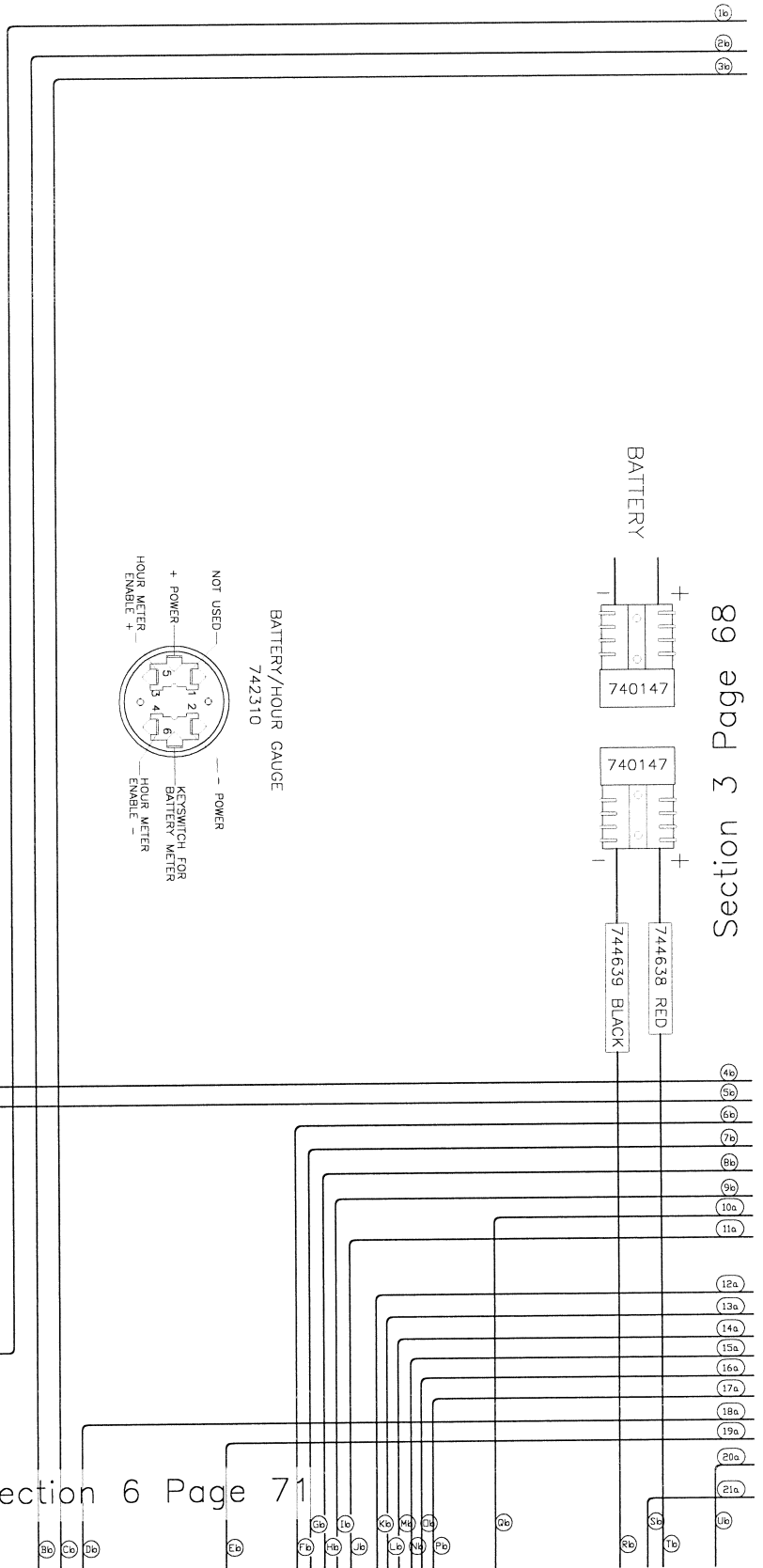
Pb

Qb

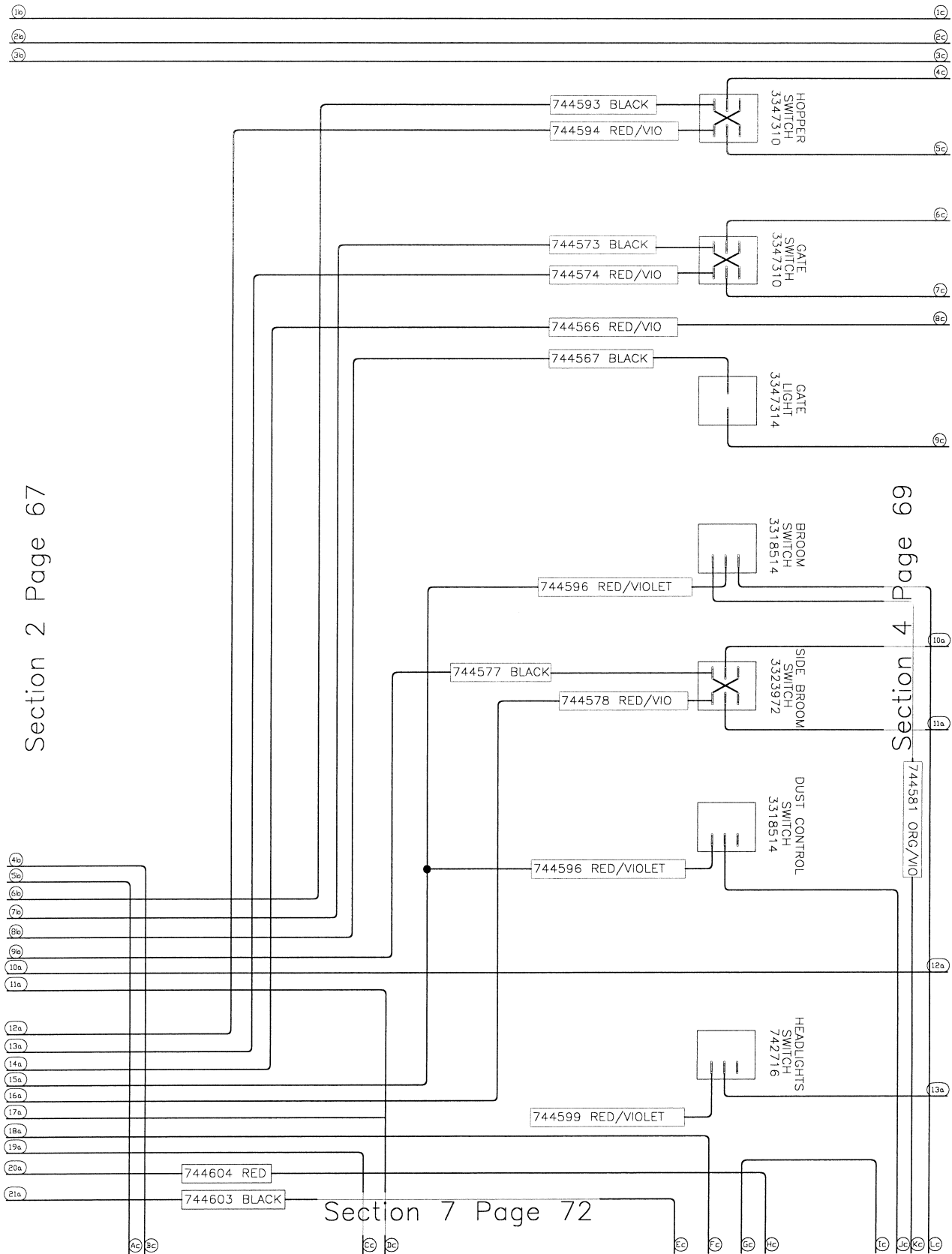
Rb

Sb

Tb



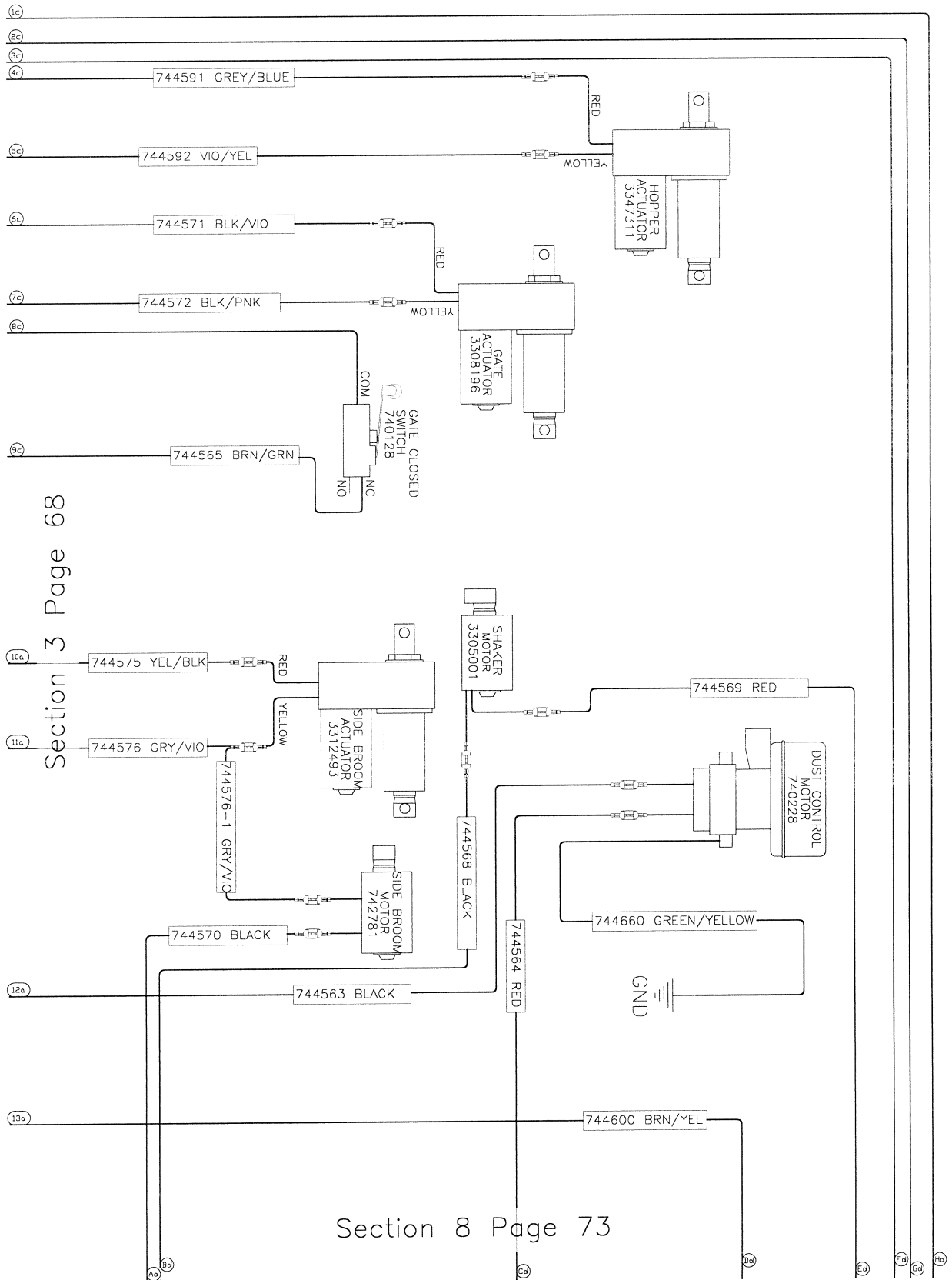
Section 3 Page 68



Section 2 Page 67

Section 4 Page 69

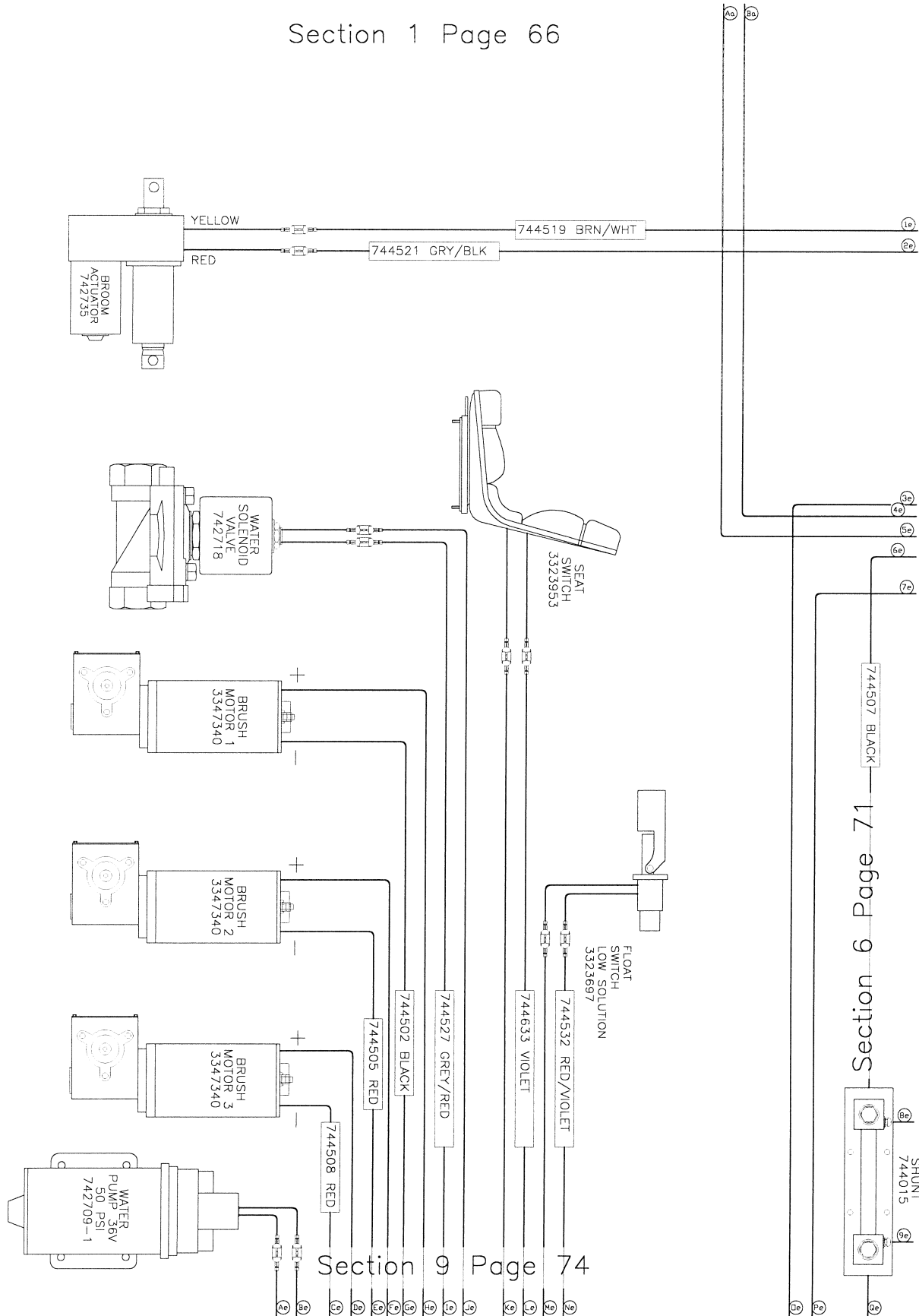
Section 7 Page 72



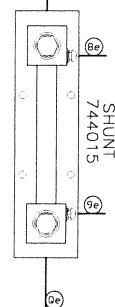
Section 3 Page 68

Section 8 Page 73

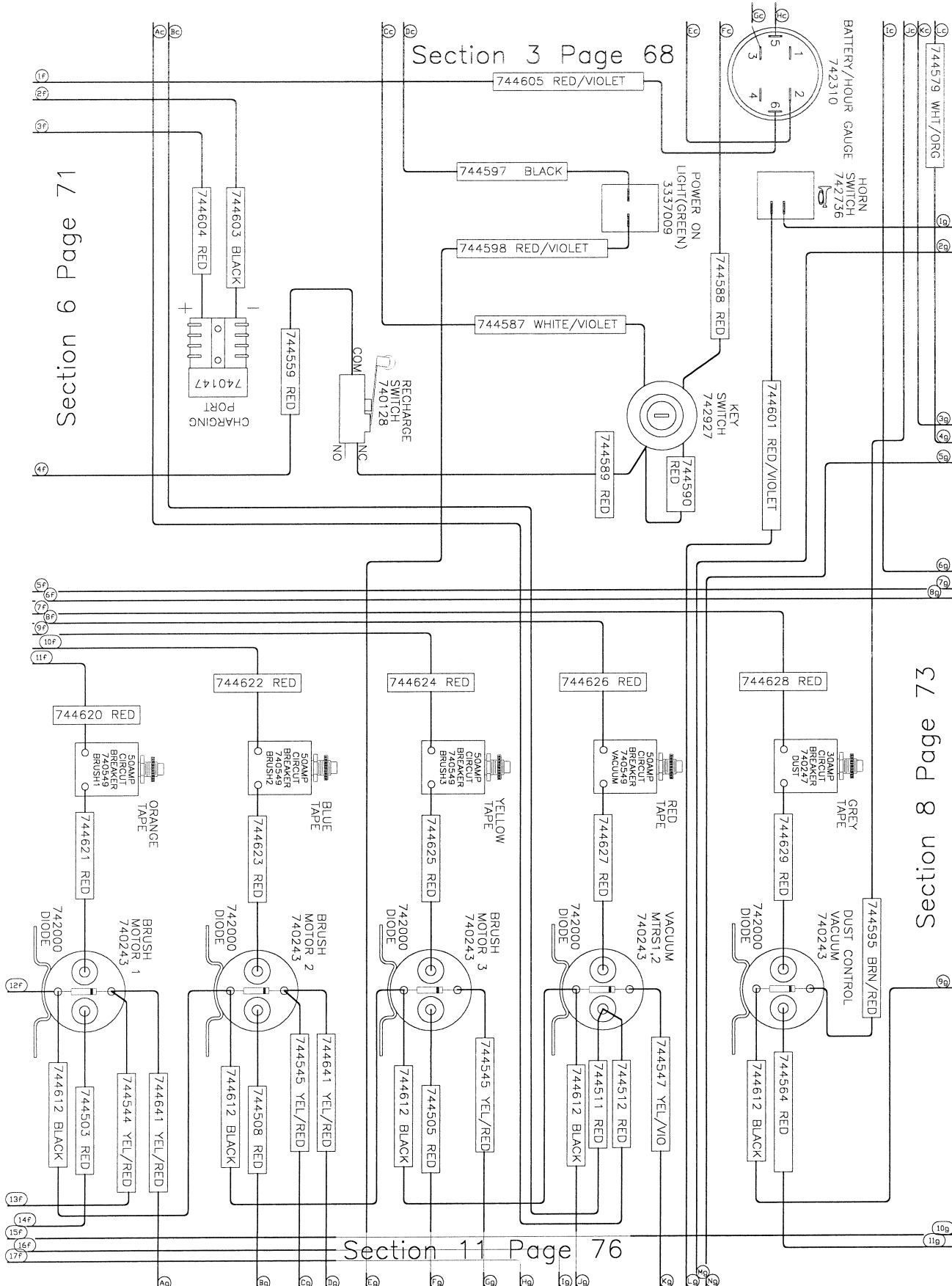
Section 1 Page 66



Section 6 Page 71



Section 9 Page 74

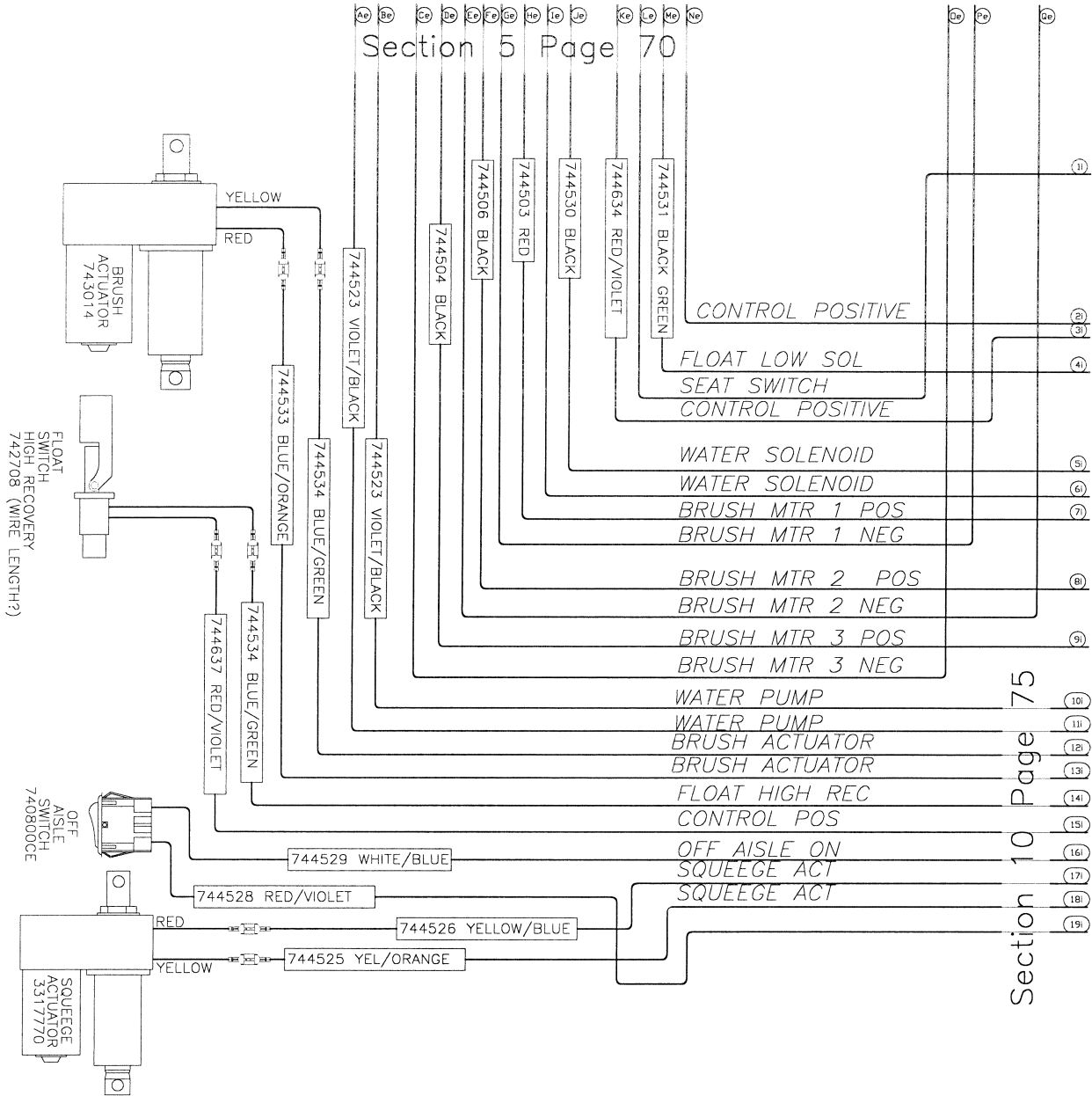


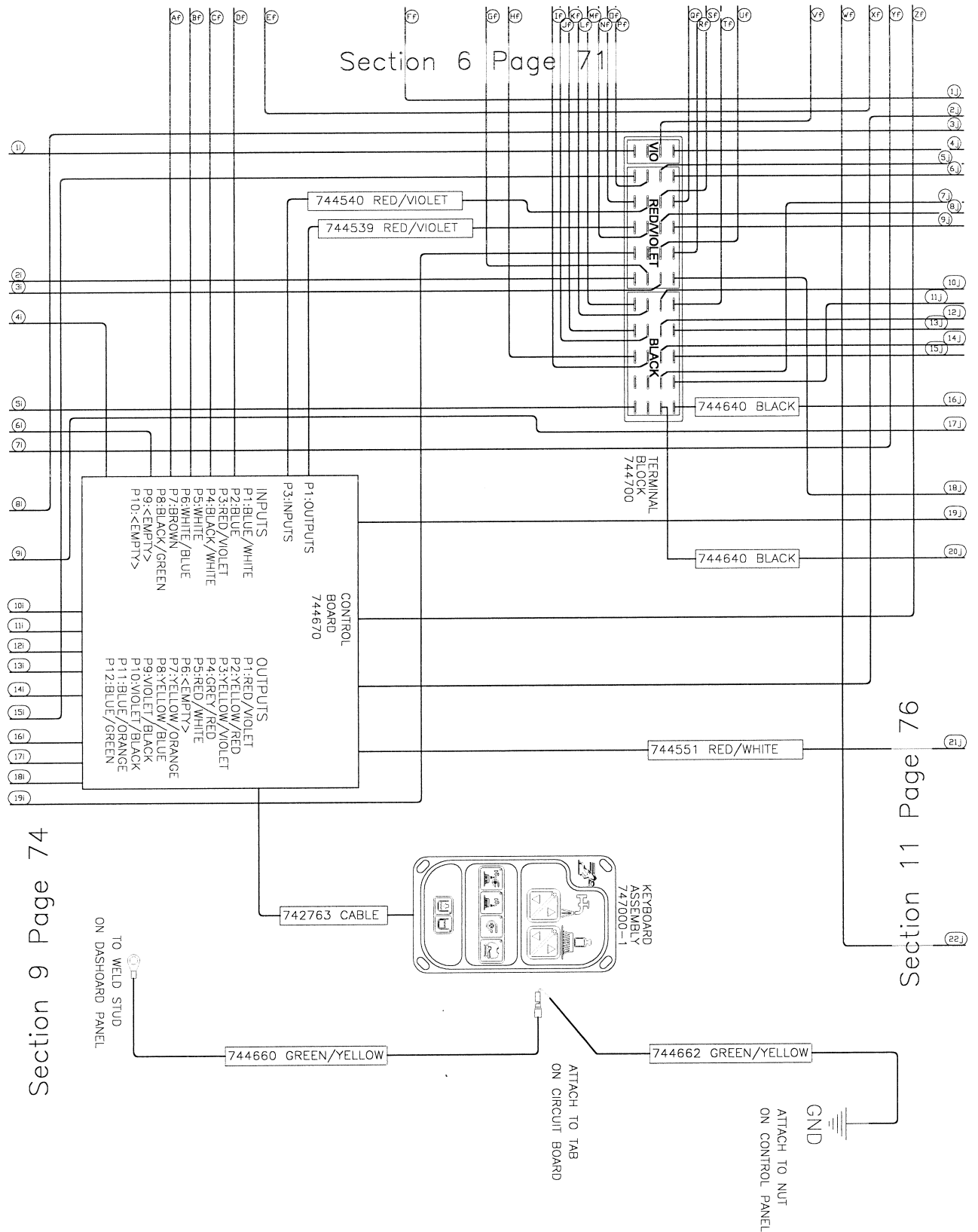
Section 6 Page 17

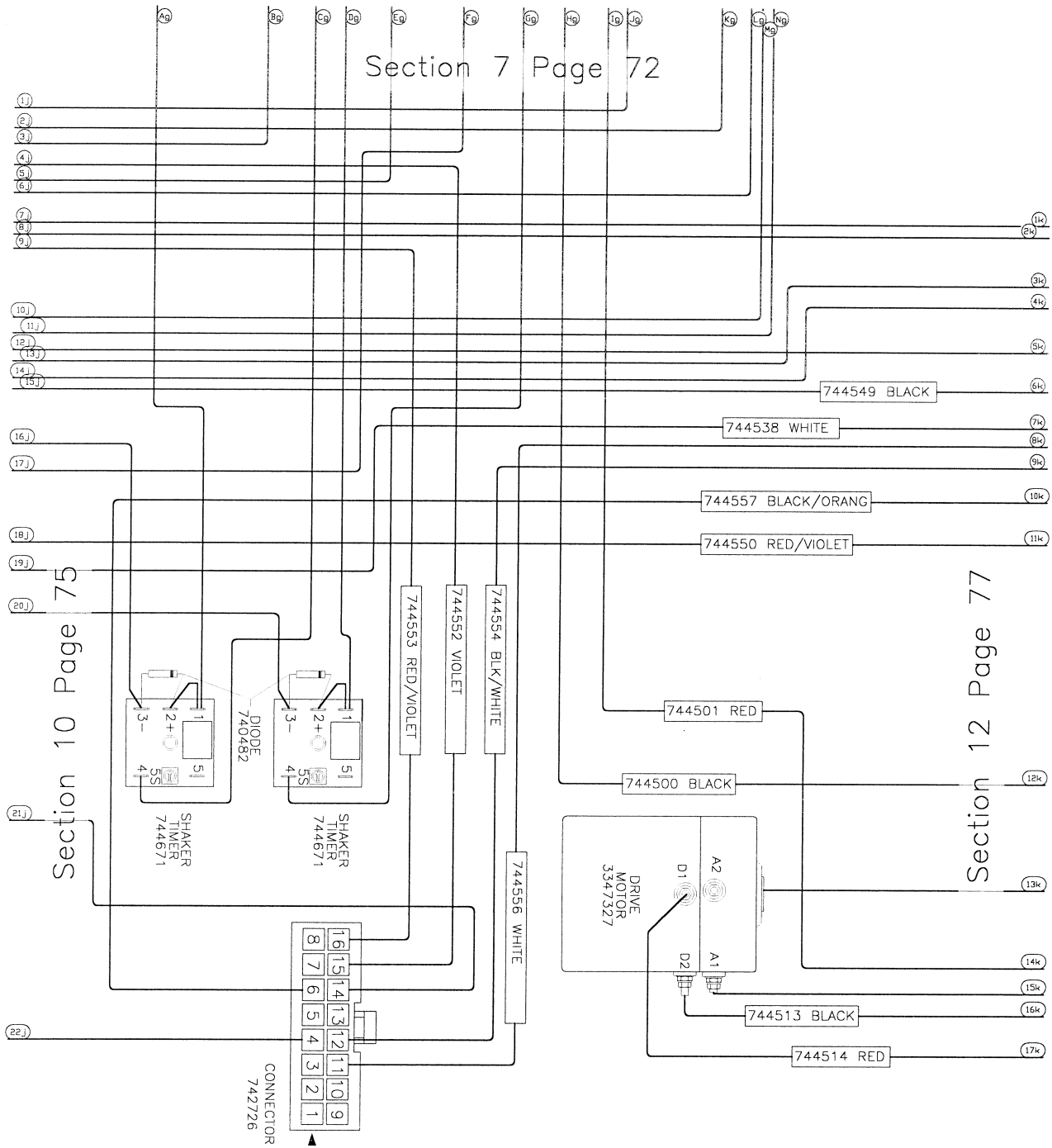
Section 3 Page 68

Section 8 Page 75

Section 11 Page 76

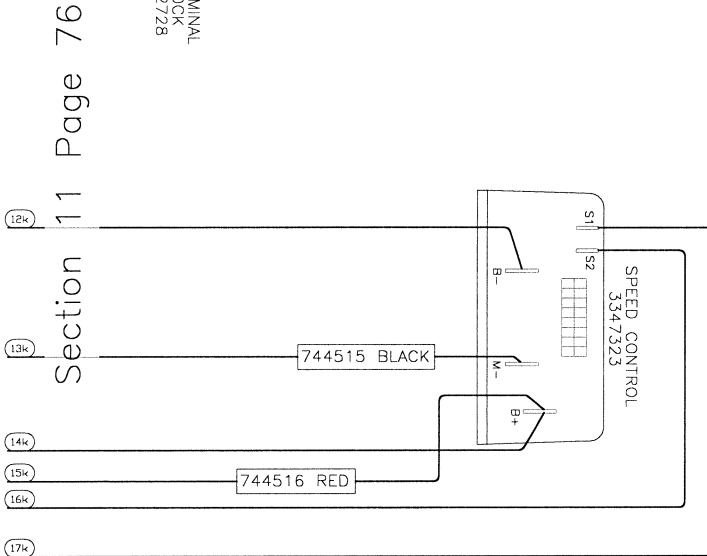
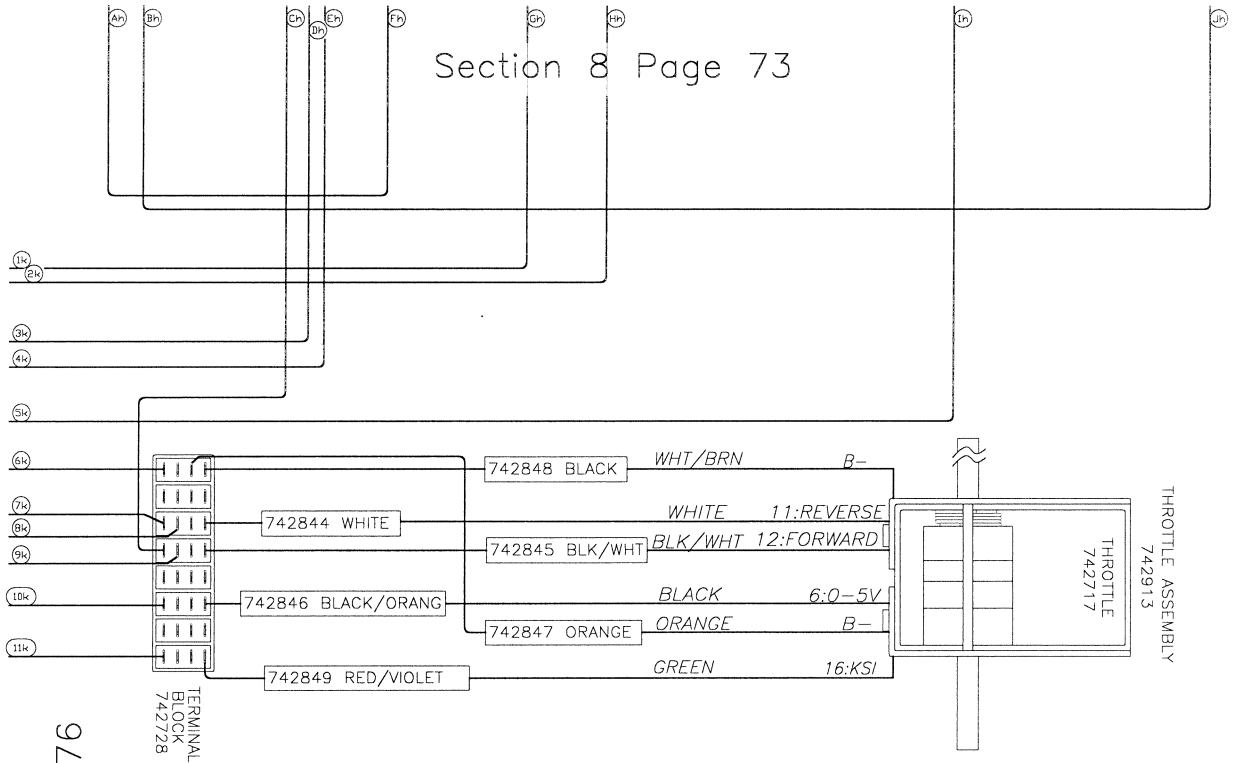






Section 10 Page 75

Section 12 Page 77



Notes

Minuteman[®]

PowerBoss[®]

OWNER'S MANUAL PARTS MANUAL 4000 Sweeper Scrubber[™]



Minuteman PowerBoss, Inc.
175 Anderson Street
Aberdeen, North Carolina USA 28315
(910) 944-2105 / FAX (910) 944-7409